

ARK-1120L

Intel® Atom™ N455 4 USB 2.0, Audio and Competitive Pricing Fanless Box PC



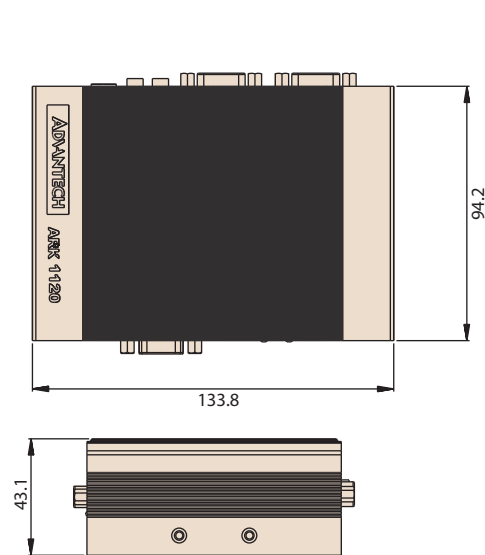
Features

- Intel® Atom™ processor N455 1.66 GHz + ICH8M
- Low power consumption, < 10W
- Palm-size design: 133.8(W) x 43.1(H) x 94.2(D) mm
- DDR3 memory support , up to 2GB
- Supports 2.5" SATA HDD Bay
- One half-size mini-PCIe slot. Ex: Wi-Fi add-on card
- 2 x RS-232, 4 x USB ports and Audio line-in, line out
- Optional VESA/DIN-rail/Wall mount
- Lockable DC jack design
- Supports SUSIAccess and Embedded Software APIs

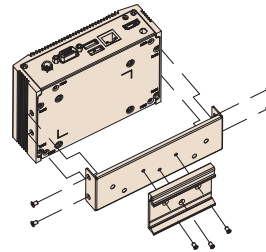


Specifications

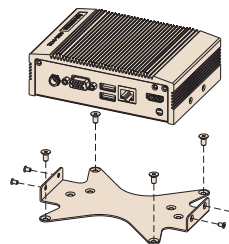
		ARK-1120L-N5A1E
Processor System	CPU	Intel Atom processor N455
	Frequency	1.66 GHz
	L2 Cache	512KB
	System Chipset	Intel ICH8-M
	BIOS	AMI 16 Mbit Flash BIOS
Memory	Technology	DDR3 up to 667 MHz
	Max. Capacity	2 GB
	Socket	1 x 204 pin SO-DIMM
Graphics	Chipset	Intel ICH8-M
	Interface	CRT interface, up to 1600 x 1200 (SXGA)
Ethernet	LAN	1 x 10/100/1000 Mbps Intel 82567V GbE, Support Wake on LAN
Audio	Interface	Realtek ALC892, Line-out, Line-in
I/O Interface	Serial Ports	2 x RS-232
	USB Interface	4 x USB ports, USB 2.0 Compliant
Other	Watchdog timer	255-level timer interval, setup by software
Expansion	Mini PCIe	1x half-size Mini PCIe supports WIFI only
Storage	HDD	Support one SATA 2.5" HDD Bay (support 9.5mm height only)
	SSD	Supports CompactFlash socket for type I/II CompactFlash disk (only available for T-Parts and CTOS service)
Software Support	Microsoft Windows	Windows 7, XP Professional, XP Embedded, WinCE 6.0
	Linux	Ubuntu v10.04.1
Power Requirement	Power Type	ATX
	Power Input Voltage	12 V _{DC}
	Minimum Power Input	12 V, 1.5 A
	Power Adaptor	AC to DC, DC12 V/3 A, 36 W (Support DC Locker Design)
Power Consumption	Typical	9.12 W
	Max	10.80 W
Mechanical	Construction	Aluminum housing
	Mounting	Support DIN Rail / VESA / Wall mounts (Optional)
	Dimensions (W x H x D)	133.8 x 43.1 x 94.2 mm (5.27" x 1.70" x 3.71")
	Weight	0.7 kg (1.55 lb)
Environmental and Certifications	Operating Temperature	0 ~ 40° C (32 ~ 104° F) with 0.7m/s air flow and standard temperature HDD
	Storage Temperature	-40 ~ 85° C (-40 ~ 185° F)
	Relative Humidity	95% @ 40° C (non-condensing)
	Vibration During Operation	With CompactFlash disk: 3Grms, IEC 60068-2-64, random, 5 ~ 500 Hz, 1hr/axis.
	Shock During Operation	With CompactFlash disk: 30Grms, IEC 60068-2-27 , half sine, 11 ms duration
	EMC	CE/FCC Class A, CCC, BSMI
	Safety Certifications	UL, CCC, BSMI, CB



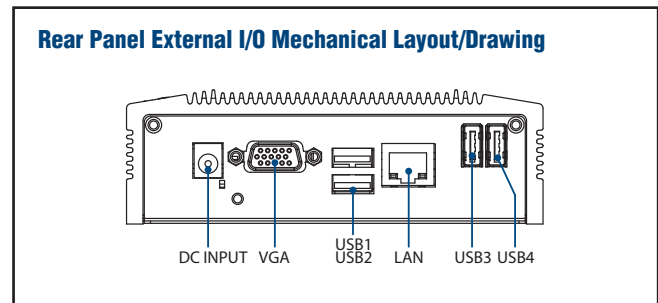
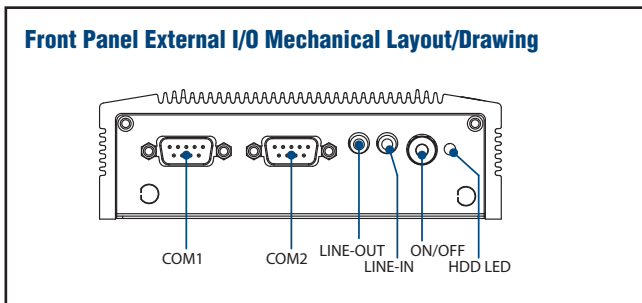
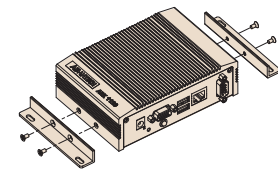
DIN Rail



VESA mount



Wall mount



Ordering Information

Part Number	Intel CPU	RAM	VGA	GbE	Audio	2.5" HDD bay	CF	USB 2.0	RS-232	RS-232/422/485	MiniPCIe	Operating Temp.	OS
ARK-1120L-N5A1E	Atom N455 1.66GHz	Up to 2GB	1	1	Line in Line out	1	1	4	2	N/A	1 Half size	0 ~ 40° C	-
ARK-1120LX-N5A1E	Atom N455 1.66GHz	2GB Built-In	1	1	Line in Line out	320GB Built-in	1	4	2	N/A	1 Half size	0 ~ 40° C	Win XPE Built-in

Note: Memory, storage and operating system bundled by request.

Packing List

Part Number	Description
-	1 x ARK-1120 unit
-	1 x Driver/Utility CD/manual
-	1 x Traditional Chinese user manual for CCC
-	1 x China RoHS
1960047289T001	DC power adapter locker
96PSA-A36W12R1	AC-to-DC Adapter DC12 V/3 A 36 W, with DC-Jack, 0 ~ 40° C for Home and Office Use

Optional Items

Part Number	Description
1700001524	Power Cable 3-pin 180 cm, USA type
170203183C	Power Cable 3-pin 180 cm, Europe Type
170203180A	Power Cable 3-pin 180 cm, UK Type
1700008921	Power Cable 3-pin PSE Mark 183cm
AMK-V003E	ARK-112X series VESA mount kits
AMK-R001E	ARK-112X series DIN Rail mount kits
AMK-W001E	ARK-112X series wall mount kits

Embedded OS

Part Number	Description
2070012123	XPE WES2009 V4.4 24MUI
2070012267	WES7E 32bit w/ EN/JP/TC/SC