

IPC-5120/7120

Desktop/Wallmount Chassis with front I/O Interfaces for ATX/mATX Motherboard



IPC-5120

IPC-7120

CE FCC

Features

- With front I/O interface and four to seven expansion slots
- Shockproof drive bay for one 5.25" ODD and two 3.5" HDDs
- LED indicators for power status and HDD activity
- Support four to seven half-size add-on cards
- Suitable foam factor : IPC-5120 for Micro-ATX MB , IPC-7120 for ATX MB

Specifications

| | | External | Internal |
|--------------------------|------------------------|--|--|
| Drive Bay | 5.25" | 1 | - |
| | 3.5" | 1 | 1 |
| Cooling | Fans | 1 (12 cm / 85 CFM) + 1 (4 cm / 10 CFM) | |
| | Air Filter | Yes | |
| Miscellaneous | LED Indicators | Power status and HDD activity | |
| | Control | Power switch and system reset button | |
| Environment | Temperature | Operating 0 ~ 40° C (32 ~ 104° F) | Non-Operating -20 ~ 60° C (-4 ~ 140° F) |
| | Humidity | 10 ~ 85% @ 40° C, non-condensing | |
| | Vibration (5 ~ 500 Hz) | 1 Grms | 2 G |
| | Shock | 10 G (with 11 ms duration, half sine wave) | |
| Physical Characteristics | Dimensions (W x H x D) | IPC-5120: 320 x 164 x 316.5 mm (12.6" x 6.5" x 12.5") IPC-7120: 380 x 164 x 316.5 mm (15" x 6.5" x 12.5") | |
| | Weight | IPC-5120: 6.54 kg (14.42 lb) IPC-7120: 7.01 kg (15.45 lb) | |

Front View

IPC-5120



Inside View



Easy-to-maintain fan filter



Shock-resistant drive bay for holding an internal 3.5" HDD

IPC-7120



Plug ring-lock securely fastens the power cord

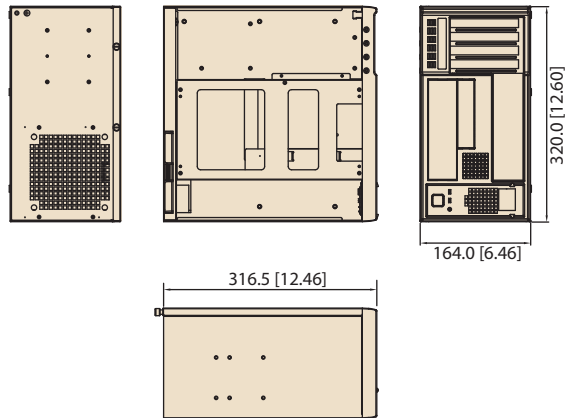


User-friendly mechanical design for installing an add-on card

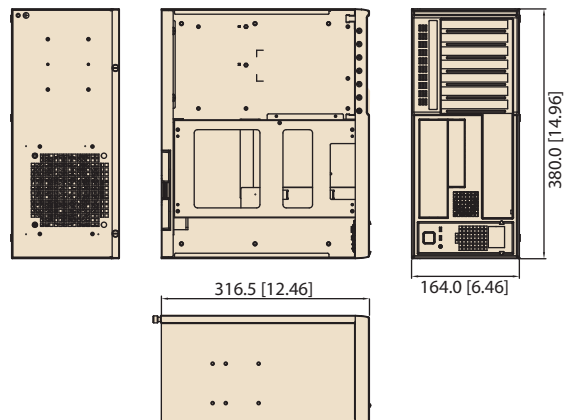
Dimensions

Unit: mm [inch]

IPC-5120



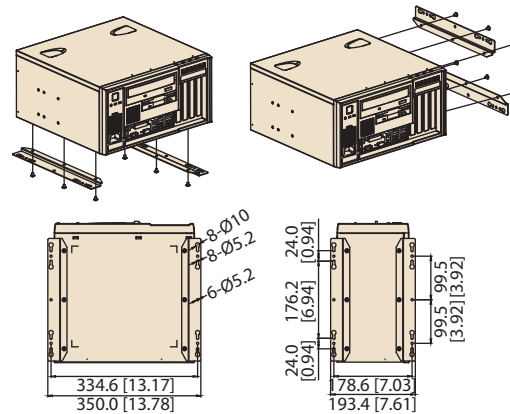
IPC-7120



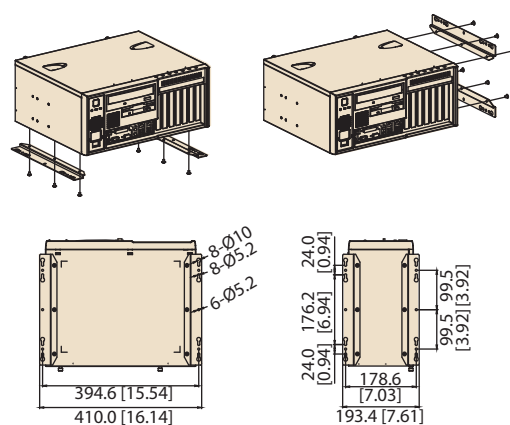
Installation

Unit: mm [inch]

IPC-5120



IPC-7120



Ordering Information

| Part Number | Power Supply | Wattage | Switch |
|------------------------|----------------|---------|--------|
| IPC-5120 Series | | | |
| IPC-5120-25CE | PS8-250FATX-XE | 250W | ATX |
| IPC-5120-35CE | PS8-350FATX-XE | 350W | ATX |
| IPC-7120 Series | | | |
| IPC-7120-25CE | PS8-250FATX-XE | 250W | ATX |
| IPC-7120-35CE | PS8-350FATX-XE | 350W | ATX |

Power Supply Specification

| Part Number | 80 Plus Grade | Wattage | Type | Input |
|----------------|---------------|---------|--------|--------------------------|
| PS8-250FATX-XE | Bronze | 250W | Single | AC 100-240V (full range) |
| PS8-350FATX-XE | Bronze | 350W | Single | AC 100-240V (full range) |