

IPC-7130

Desktop/Wallmount Chassis for ATX/MicroATX Motherboard with Dual Hot-Swap 3.5" Drive Bays



Features

- Shockproof drive bays - One 5.25", 2 hot-swap 3.5" and 1 internal 3.5"
- Lockable front door prevent unauthorized access
- LED indicators for system fault detection
- Bidirectional to mount chassis on the wall or workbench
- Built-in Intelligent System Module enabling whole system fan control and remote manageability

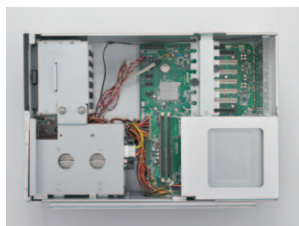
Quiet

Specifications

CE FCC RoHS COMPLIANT PRODUCT

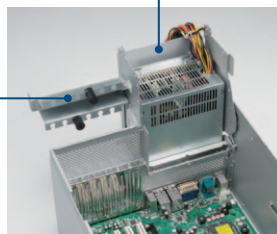
		External	Internal
Disk Drive Bay	5.25"	1	-
	Hot-Swap	2 (compatible with 3.5" or 2.5" devices)	1
Cooling	Fan	1 (12 cm/73.8 CFM) + 1 (6 cm/21.2 CFM)	
	Air Filters	Yes	
I/O Interface	USB 2.0	2 (Front accessible)	
Miscellaneous	LED Indicators	Power, fan, temperature, HDD	
	Front Panel	Power, HDD, Temp, Fan	
Intelligent System Module Remote Monitoring	CPU/System fan speed , CPU/System temperature , motherboard voltage (Only selected Advantech MBs/CPU cards with SUSIAccess installed can fully enable these functions, check with Advantech local rep. for detailed information.)		
Environment	Temperature	Operating 0 ~ 50° C (32 ~ 122° F)	Non-operating -20 ~ 60° C (-4 ~ 140° F)
	Humidity	10 ~ 95 % @ 40° C, non-condensing	
	Vibration (5-500 Hz)	0.5 Grms	2 G
	Shock	10 G (with 11 ms duration, half sine wave)	30 G
	Physical Characteristics	Dimensions (W x H x D)	200 x 320 x 480 mm (7.9" x 12.6" x 18.9")

Inside view



Easy-to-maintain power supply bracket

Hold-down clamp



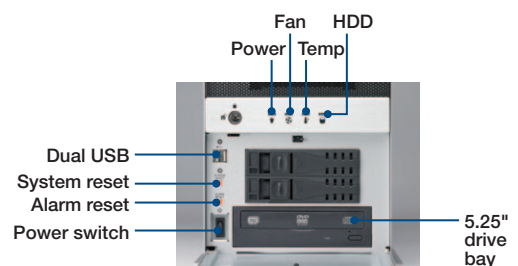
Rear view



Easy-to-maintain reusable fan filter

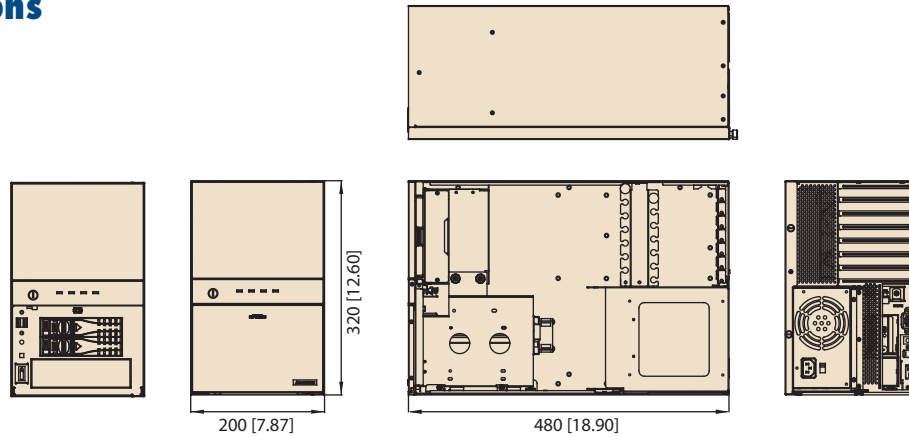


Dual Hot-Swap trays
(Compatible with both 2.5" and 3.5" devices)



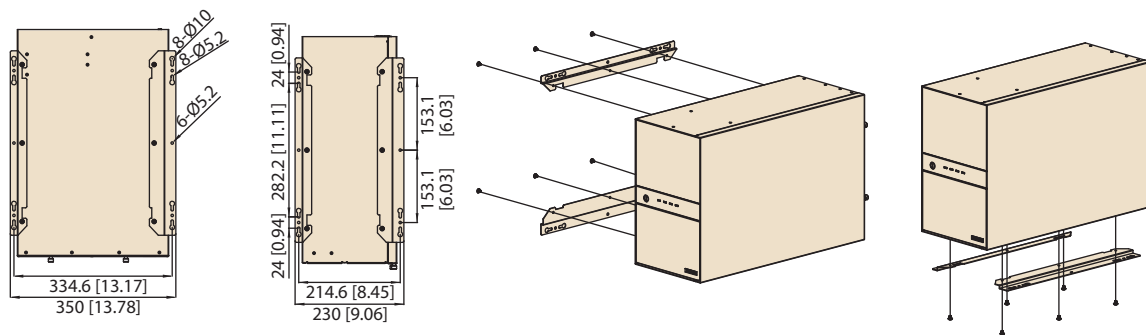
Dimensions

Unit: mm [inch]



Installation

Unit: mm [inch]



Ordering Information

Part Number	Power Supply
IPC-7130-00XE	Without power supply, with ATX switch

Optional Accessories

Part Number	Description
1750006045	73.84 CFM, System fan 120 x 120 x 25 mm
1750006376	21.22 CFM, HDD fan 60 x 60 x 13 mm

Power Supply Options

Part Number	80 Plus Grade	Wattage	Type	Input
PS8-300ATX-ZBE	Bronze	300W	Single	AC 100 ~ 240V (full range)
PS8-400ATX-ZE	Bronze	400W	Single	AC 100 ~ 240V (full range)