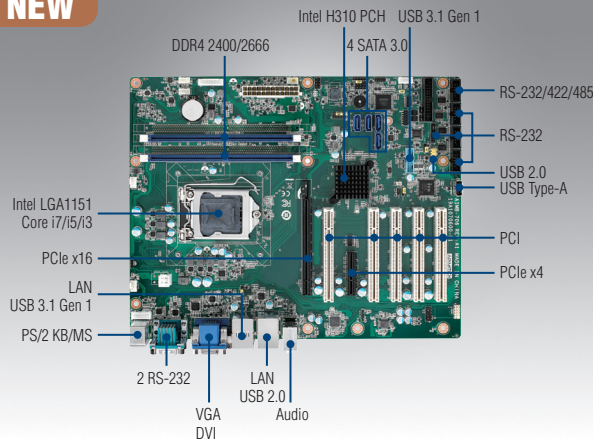


AIMB-706

LGA1151 8th/9th Generation Intel® Core™ i7/i5/i3/Pentium®/Celeron® ATX with DVI/VGA, DDR4, SATA 3.0, USB 3.1 & 6 COMs

NEW



Features

- Intel® 8th/9th generation Core™ i7/i5/i3/Pentium®/Celeron® processor with H310 chipset
- Dual channel (Non-ECC) DDR4 2400/2666 up to 32GB
- Support VGA and DVI display
- SATA 3.0, USB 3.1, dual GbEs
- 5 RS-232 and 1 RS-232/422/485 serial ports
- 1 PCIe x16 (Gen 3) and 1 PCIe x4 (Gen 2), and 5 PCI expansion slots

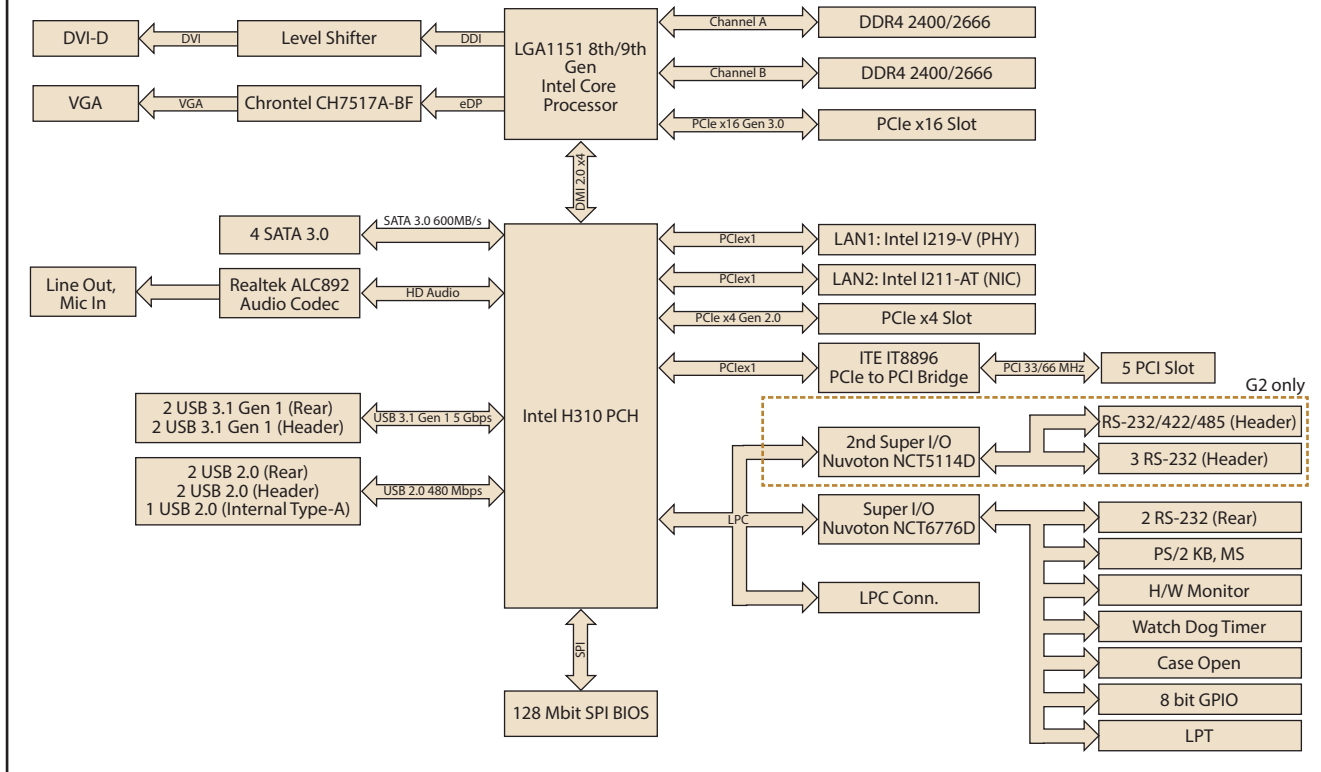
Note: Intel 8th/9th generation processors only support Windows 10 (64-bit).

Quiet Specifications

CE FCC

	CPU	i7-9700E	i7-9700TE	i7-8700	i7-8700T	i5-9500E	i5-9500TE	i5-8500	i5-8500T	i3-9100E	i3-9100TE	i3-8100	i3-8100T	G5400	G5400T	G4900	G4900T	
Processor System	Speed	2.6GHz	1.8 GHz	3.2 GHz	2.4 GHz	3.0 GHz	2.2 GHz	3.0 GHz	2.1 GHz	3.1 GHz	2.2 GHz	3.6 GHz	3.1 GHz	3.7 GHz	3.1 GHz	3.1 GHz	2.9 GHz	
	L3 Cache	12 MB	12 MB	12 MB	12 MB	9 MB	9 MB	9 MB	9 MB	6 MB	6 MB	6 MB	6 MB	4 MB	4 MB	2 MB	2 MB	
	Cores	8	8	6	6	6	6	6	6	4	4	4	4	2	2	2	2	
	TDP	65 W	35 W	65 W	35 W	65 W	35 W	65 W	35 W	65 W	35 W	65 W	35 W	58 W	35 W	54 W	35 W	
	Socket	LGA1151																
	Chipset	Intel H310																
	BIOS	AMI 128Mbit SPI Flash																
Expansion Slot	PCI	32-bit/33 MHz, 5 slots																
	PCIe x4 (Gen 2)	2 GB/s per direction, 1 slot																
	PCIe x16 (Gen 3)	16 GB/s per direction, 1 slot																
Memory	Technology	Dual Channel(Non-ECC) DDR4 2400/2666																
	Max Capacity	32 GB (16 GB per DIMM)																
	Sockets	2 x 288-pin DIMM																
Graphics	Controller	Chipset integrated Intel HD Graphics																
	VRAM	Shared system memory is subject to OS																
Ethernet	Interface	10/100/1000 Mbps																
	Controller	GbE LAN1: Intel I219-V, GbE LAN2: Intel I211-AT																
	Connector	2 x RJ-45																
SATA	Max Data Transfer Rate	600 MB/s																
	Channel	4																
Rear I/O	VGA	1 (Resolution up to 1920 x 1200 @ 60 Hz)																
	DVI	1 for G2 version (Resolution up to 1920 x 1200 @ 60 Hz)																
	Ethernet	2 for G2 version; 1 for VG version																
	USB	4 (2 x USB 3.1 Gen 1, 2 x USB 2.0)																
	Audio	2 (Line-out, Mic-in)																
	Serial	2 (RS-232)																
	PS/2	2 (1 x keyboard and 1 x mouse)																
Internal Connectors	USB	5 (2 x USB 3.1 Gen 1 via header, 2 x USB 2.0 via header, 1 x USB 2.0 Type-A connector)																
	Serial	4 for G2 version (3 x RS-232, box-header; 1 x RS-232/422/485 with auto-flow control, box-header)																
	SATA	4																
	Parallel	1																
	GPIO	8-bit																
Watchdog Timer	Output	System reset																
	Interval	Programmable 1 - 255 sec																
Power Requirement	Test Environment	Intel Core i7-8700 3.2GHz; DDR4 2400 16 GB x 2																
	Voltage	3.3V	5V	12V	5Vsb	-5V	-12V											
	Current	2.74A	3.5A	5.92A	0.05A	0.01A	0.08A											
Environment	Operating												Non-Operating					
	Temperature	0 - 60 °C (32 - 140 °F), depends on CPU speed and system thermal solution											-40 - 85 °C (-40 - 185 °F)					
	Humidity	40 °C @ 95% RH Non-condensing											60 °C @ 95% RH Non-condensing					
Physical Characteristics	Dimensions (L x H)	304.8 x 244 mm (12" x 9.6")																

Block Diagram



Ordering Information

Part Number	Chipset	Memory	Display	USB 3.1 Gen 1	USB 2.0	COM	GbE LAN	AMT	SATA	SW RAID	Intelligent System Module Support
AIMB-706G2-00A1	H310	Non-ECC	VGA + DVI	4	5	6	2	No	4	No	No
AIMB-706VG-00A1	H310	Non-ECC	VGA	4	5	2	1	No	4	No	No

Packing List

Part Number	Description	Quantity
1700003194	SATA HDD cable	x2
1700022749-11	SATA power cable	x1
1960050472T000	I/O port bracket	x1
2001070611	Startup manual	x1

Note: Driver CD is not provided. Please visit Advantech support website for driver download.

I/O View



AIMB-706G2-00A1



AIMB-706VG-00A1

Optional Accessories

Part Number	Description
1701090401	Single COM port cable(40 cm)
1701092300	Dual COM port cable(28.5 cm)
1700020294-01	Printer port cable kit(42 cm)
1700028292-01	2-port USB 3.0 cable w/ BKT(30 cm)
1700002204	2-port USB 2.0 cable w/ BKT(27 cm)
1960052651N021	CPU cooler for 2U, 4U, and wallmount chassis
1960049408N001	CPU cooler for 1U chassis
1960055954T000	IO bracket for 1U chassis
PCA-COM232-00A1E	4-port RS-232 LPC module
PCA-TPM-00B1E	TPM2.0 module

Note: Purchasing AIMB-706's proprietary CPU cooler from Advantech is a must. Other brands' CPU coolers are NOT compatible with AIMB-705.

Riser Card

Part Number	Description
AIMB-RP10P-01A1E	1U riser card providing 1 PCI slot
AIMB-RP30P-03A1E	2U riser card providing 3 PCI slots
AIMB-RP3PF-21A1E	2U riser card providing 1 PCIe x 16 and 2 PCI slots