

IPPC-6152A IPPC-6172A IPPC-6192A

15" XGA/17" SXGA/19" SXGA TFT LCD LED Backlight Core™ i7/i5/i3 Industrial Panel PC



Features

- 15" XGA/17" SXGA/19" SXGA TFT LCD with touchscreen
- Supports Intel® Core™ i7/i5/i3 processor with Q87 chipset (up to 3.1GHz)
- System supports four DIMM sockets support up to 32 GB DDR3 1333/1600 MHz SDRAM
- Offers multiple expansion slots including two PCI (default), one PCI + one PCIe x4 (optional), two PCIe x1 (in the accessory box)
- SATA 2.0 or SATA 3.0 HDDs and RAID 0,1 compatibility
- Front USB access and system reset function
- Front panel is IP65 compliant
- Supports Intel AMT 9.0 and Intel vPro competent
- Supports Microsoft® Windows 7, Windows 8.1 and Windows 10
- Supports susiAccess and Embedded Software APIs
- Optional Functionality –CFast ,PCI/ PCIe expansion,DVD-ROM

Introduction

The IPPC-6000A Series is an Industrial Panel PC with front USB access, supports the powerful 4th Gen Intel Core™ i7/i5/i3, high speed DDR3 memory, up to 32 GB, two expansion slots. The processor and chipset combination form the foundation of vPro, Intel's next generation digital office platform, offering remote out-of-band manageability, improved security, and energy efficient performance. Two SATA hard driver interface with RAID 0,1 support provides data security. Multi function optional –CFast ,PCI/ PCIe expansion,DVD-ROM which offers great flexibility for application specific requirements. Rugged Metal & IP65 Flat-Sealed Front provide excellent durability in harsh environment. With optional mounting accessories, from panels to racks,it can be mounted anywhere.

Specifications

General

- **BIOS** AMI 64 MB Flash BIOS
- **Certification** UL, CE, FCC, CCC, BSMI
- **Enclosure** Die-cast flat-sealed front with SGCC Housing
- **Dimensions (W x H x D)** IPPC-6152A :449.92 x 315.63 x 126.4 mm (17.71" x 12.43" x 4.98")
IPPC-6172A: 481.93 x 355.87 x 132.5 mm (18.97" x 14.01" x 5.22")
IPPC-6192A: 481.93 x 384.6 x 135.5 mm (18.97" x 15.14" x 5.33")
- **Mounting** Panel, Rack (optional)
- **OS Support** Microsoft® WES7 32bit&64bit/Windows 7 32bit&64bit/ Windows 8.1 32bit&64bit/ Windows 10 32bit&64bit
- **Power Input** 100 ~ 240 V_{ac} @ 60 ~ 50 Hz, 7 ~ 3.5 A
- **Power Supply** 350 W

System Hardware

- **CPU** Supports Intel® Core™ i7/i5/i3 processor (up to 3.1GHz)
- **Chipset** Intel Q87
- **Memory** System supports four DIMM sockets support up to 32 GB DDR3 1333/1600 MHz SDRAM
- **LAN** 10/100/1000 Base-T Ethernet x 2
- **Expansion** Two half-length PCI (default)
Two PCIe x1 (in the accessory box)
One PCI + One PCIe x4 (Optional)
- **Storage** Supports 2 x 2.5" SATA 2.0 or SATA 3.0 HDDs and RAID 0,1 compatibility
- **Optical Driver** 1 x Slim Type DVD-RW (optional)
CFast (optional)

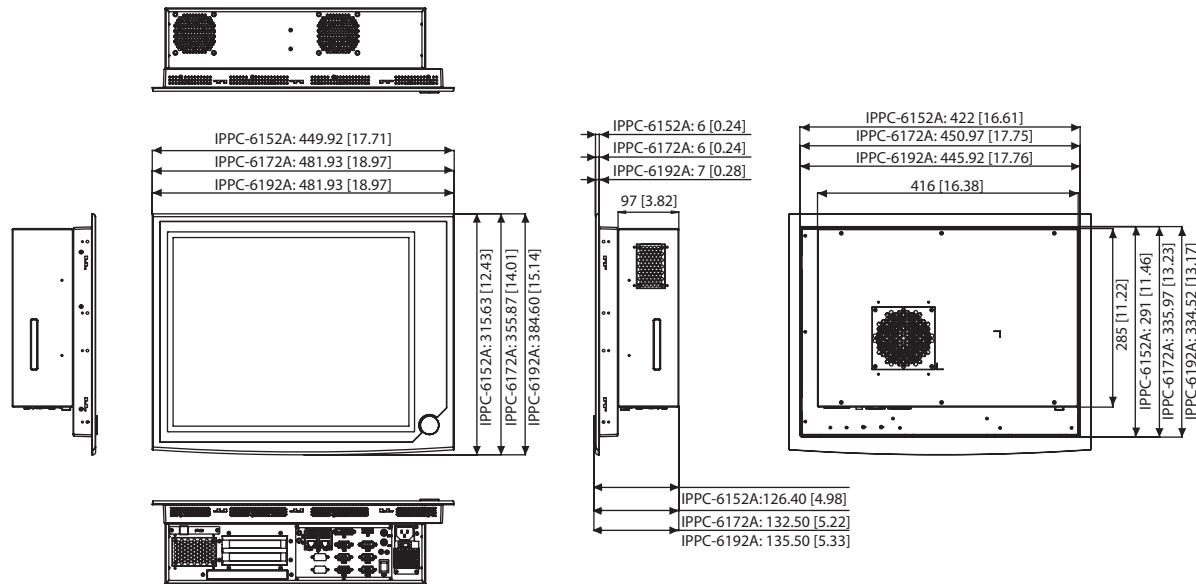
- **I/Os** 4 (3 x RS-232, 1 x RS-232/422/485 to support auto flow control)
1 x GPIO
2 x Reservation ports
5 x USB Host(USB 2.0 front, 4 USB 3.0) 2 x GbE LAN
VGA x1; DVI x1; DP x1
2 (1 x keyboard and 1 x mouse)
2 (Mic-in, Line-out)

LCD Display

- **Backlight Life** 50,000 hrs
- **Contrast Ratio** IPPC-6152A: 700:1
IPPC-6172A:1000:1
IPPC-6192A:1000:1
- **Display Size** 15", 17", 19"
- **Display Type** IPPC-6152A: XGA TFT LCD LED Backlight
IPPC-6172A: SXGA TFT LCD LED Backlight
IPPC-6192A: SXGA TFT LCD LED Backlight
- **Luminance** IPPC-6152A: 400 cd/m2
IPPC-6172A: 350 cd/m2
IPPC-6192A : 350 cd/m2
- **Max. Colors** IPPC-6152A:16.2M/262K
IPPC-6172A: 16.7M (RGB 6-bit + Hi-FRC data)
IPPC-6192A:16.7M (RGB 6-bit + Hi-FRC data)
- **Max. Resolution** IPPC-6152A: 1024 x 768
IPPC-6172A: 1280 x 1024
IPPC-6192A: 1280 x 1024
- **Viewing Angle (H/V°)** IPPC-6152A:160/140
IPPC-6172A: 170/160
IPPC-6192A: 170/160

Dimensions

Unit: mm [inches]



Panel Cut-out Dimensions:

IPPC-6152A: 424x293mm (16.69"x11.54")

IPPC-6172A: 454x338mm (17.87"x13.31")

IPPC-6192A: 454x338mm (17.87"x13.31")

Touchscreen

- Lifespan** 36 million with a silicone rubber of R8 finger, writing rate is by 250g at 2 times/s
- Light Transmission** > 80%
- Type** Analog resistive 5-wire

Environment

- Humidity** 5 ~ 85% @ 40°C (non-condensing)
- Ingress Protection** Front panel: IP65
- Operating Temperature** 0 ~ 50°C (32 ~ 122°F)
- Storage Temperature** -20 ~ 60°C (-4 ~ 140°F)
- Vibration Protection** 5 ~ 500 Hz, 1 Grms random vibration

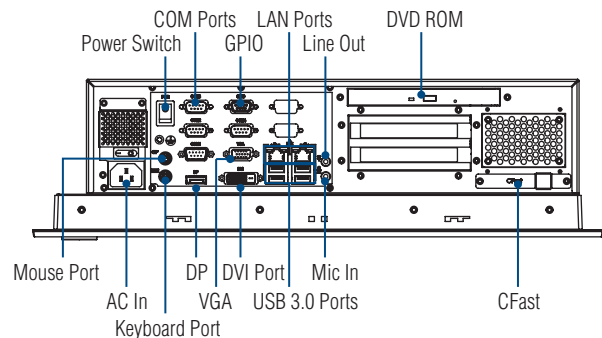
Ordering Information

- IPPC-6152A-R2AE** 15" XGA LED IPPC-61X2-R2 2PCIs w/ TS
- IPPC-6172A-R2AE** 17" SXGA LED IPPC-61X2-R2 2PCIs w/ TS
- IPPC-6192A-R2AE** 19" SXGA LED IPPC-61X2-R2 2PCIs w/ TS

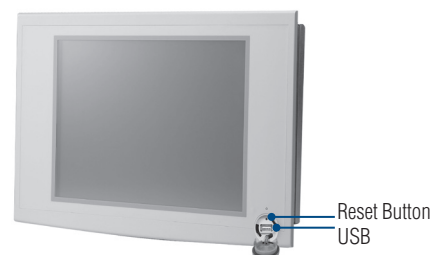
Accessories

- 98R3615210E** IPPC-6152A Rack mount Kit
- 98R3617200E** IPPC-6172A Rack mount Kit
- 98R3619200E** IPPC-6192A Rack mount Kit
- 989KPH1701E** CFast module for IPPC-61X2-R2 Series
- 1702002600** Power Cable US Plug 1.8 M
- 1702002605** Power Cable EU Plug 1.8 M
- 1702031801** Power Cable UK Plug 1.8 M
- 1702031836** Power Cable China/Australia Plug 1.8 M
- 96CB-POWER-B-1.8M1** POWER CORD for China 1.8M
- 989KPH3800E** PCIE to PCI + PCIE x4

I/O View



Front Accessible USB Port



CPU List

CPU Type List & Description		
Model Number	Advantech Part Number	Description
I7-4770S	96MPI7-3.1-8M10T	CORE 3.1G 8M 1150P 4 CORE I7-4770S
I7-4770TE	96MPI7-2.3-8M10T	CORE 2.3G 8M 1150P 4 CORE I7-4770TE
I7-4790S	96MPI7-3.2-8M10T	CORE 3.2G 8M 1150P 4CORE I7-4790S
I5-4670S	--	CORE 3.8G 6M 4 CORE I5-4670S
I5-4590S	96MPI5-3.0-6M10T	CORE 3.0G 6M 1150P 4CORE I5-4590S
I5-4570S	96MPI5-2.9-6M10T	CORE 2.9G 6M 1150P 4 CORE I5-4570S
I5-4570TE	96MPI5-2.7-4M10T	CORE 2.7G 4M 1150P 2 CORE I5-4570TE
I5-4590T	96MPI5-2.0-6M10T	CORE 2.0G 6M 1150P 4CORE I5-4590T
I3-4360	96MPI3-3.7-4M10T	CORE 3.7G 4M 1150P 2CORE I3-4360
I3-4330	96MPI3-3.5-4M10T	CORE 3.5G 4M 1150P 2CORE I3-4330
I3-4350T	96MPI3-3.1-4M10T	CORE 3.1G 4M 1150P 2CORE I3-4350T
I3-4340TE	96MPI3-2.6-4M10T	CORE 2.6G 4M 1150P 2CORE I3-4340TE
I3-4330TE	96MPI3-2.4-4M10T	CORE 2.4G 4M 1150P 2CORE I3-4330TE
G3320TE	96MPP-2.3-3M10T	PENTIUM 2.3F 3M 1150P TRAY G3320TE
G3420T	--	Intel® Pentium ® Processor G3420T

Memory List

Memory Type List & Description		
Model Number	Advantech Part Number	Description
Transcend TS2KNU28100-3S	96D3-1G1333NN-TR1	1G DDR3-1333 240PIN 128X8 SAM(G)
Apacer 78.A1GC6.421	96D3-2G1333NN-AP	2G DDR3-1333 240PIN 128X8 ELP(G)
Transcend TS5KNU28300-3S	96D3-2G1333NN-TR2	2G DDR3-1333 240PIN 128X8 SAM(G)
Apacer 78.B1GDE.AF1	96D3-4G1333NN-AP	4G DDR3-1333 240PIN 256X8 HYX(G)
Apacer 78.B1GE3.AFF0C	96D3-4G1600NN-APL	4G DDR3-1600 240PIN 256X8 VLP HYX(G)
Transcend TS9KNH28300-6M	96D3-8G1600NN-TR	8G DDR3-1600 240PIN 512X8 MIC(G)
Apacer 78.C1GET.ATF0C	96D3-8G1600NN-APL	8G DDR3-1600 240PIN 512X8 VLP MIC(G)