

# MOS-1110Y-0101E

Isolated 16 DI / 8 DO, 1-Ch, DB37, PCIe I/F

**NEW**



## Features

- Meets Advantech Standard iDoor Technology
- PCI Express® Mini Card Specification Revision 1.2 compliant
- Supports wide-input/output voltage (10-30 V<sub>DC</sub>/5-30 V<sub>DC</sub>)
- High over-voltage-protection (70 V<sub>DC</sub>) and voltage isolation (2,500 V<sub>DC</sub>)
- Easy configuration & efficient programming by Advantech DAQNav
- I/O address automatically assigned by PCIe plug & play
- Keeps the output settings and values after system hot reset
- Supports ARK-2121L and ARK-6322

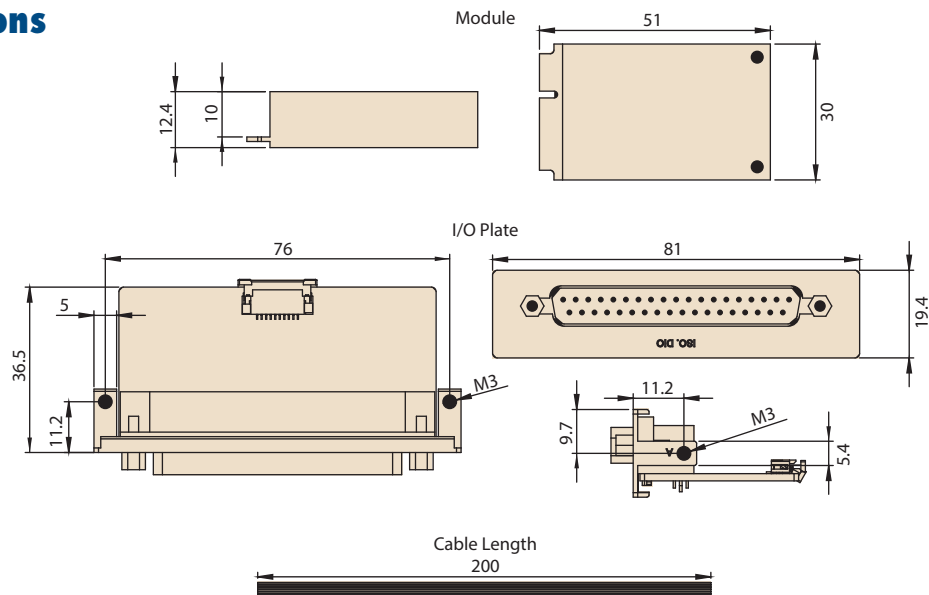


## Specifications

|                         |                             |  |
|-------------------------|-----------------------------|--|
| General                 | Bus Type                    | PCI Express Mini Card Revision 1.2   |
|                         | Certification               | CE, FCC class A  |
|                         | Connectors                  | 1 x Female DB37  |
|                         | Dimensions                  | Module: 51 x 30 x 12.4 mm (2" x 1.18" x 0.49")<br>I/O Plate: 81 x 19.4 x 41 mm (3.19" x 0.76" x 1.61") |
|                         | Power Consumption           | Typical: +3.3 V @ 400 mA<br>Max.: +3.3V @ 520 mA   |
| Isolated Digital Input  | Input Channels              | 16   |
|                         | Input Voltage (Wet Contact) | Logic 0: 0~3 V <sub>DC</sub><br>Logic 1: 10~30 V <sub>DC</sub>   |
|                         | Input Voltage (Dry Contact) | Logic 0: Open<br>Logic 1: Shorted to GND   |
|                         | Input Current               | 10 V <sub>DC</sub> @ 2.97 mA<br>20 V <sub>DC</sub> @ 6.35 mA<br>30 V <sub>DC</sub> @ 9.73 mA           |
|                         | Input Resistance            | 5K Ohm   |
|                         | Interrupt Capable Channels  | 2 (IDI0, IDI8)   |
|                         | Isolation Protection        | 2,500 V <sub>DC</sub>  |
|                         | Overvoltage Protection      | 70 V <sub>DC</sub>   |
|                         | ESD Protection              | 4KV (Contact), 8KV (Air)   |
| Opto-Isolator Response  | 50 μs                       |  |
| Isolated Digital Output | Output Channels             | 8  |
|                         | Output Type                 | MOSFET   |
|                         | Isolation Protection        | 2,500 V <sub>DC</sub>  |
|                         | Output Voltage              | 5 ~ 30 V <sub>DC</sub>   |
|                         | Sink Current                | 100 mA max./channel  |
|                         | Opto-isolator               | Response 50 μs   |
| Counter                 | Channels                    | 2  |
|                         | Resolution                  | 32 bits  |
|                         | Max. Input Frequency        | 1 kHz  |
| Software                | Tools & Drivers             | Advantech DAQNav Tools & API Drivers   |
|                         | OS Support                  | Microsoft® Windows® XP/7/8   |
| Environment             | Humidity (Operating)        | 5-95% RH, non-condensing   |
|                         | Operating Temperature       | -20 ~ 60°C (-4 ~ 140°F)  |
|                         | Storage Temperature         | -40 ~ 85°C (-40 ~ 185°F)   |

## Dimensions

Unit: mm



## Ordering Information

| Part Number     | Description                               |
|-----------------|---|
| MOS-1110Y-0101E | Isolated 16 DI/8 DO, 1-ch, DB37, PCIe I/F |