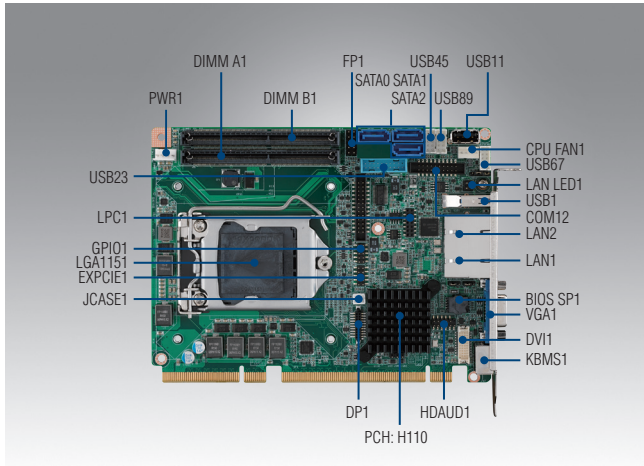


PCE-3029

LGA 1151 6th and 7th Gen Intel® Core™ i7/i5/i3 Half-size SHB with PCIe 3.0/ Dual Independent Display/Dual GbE LAN/ SATA III/m-SATA/ USB 3.0



CE FCC

Features

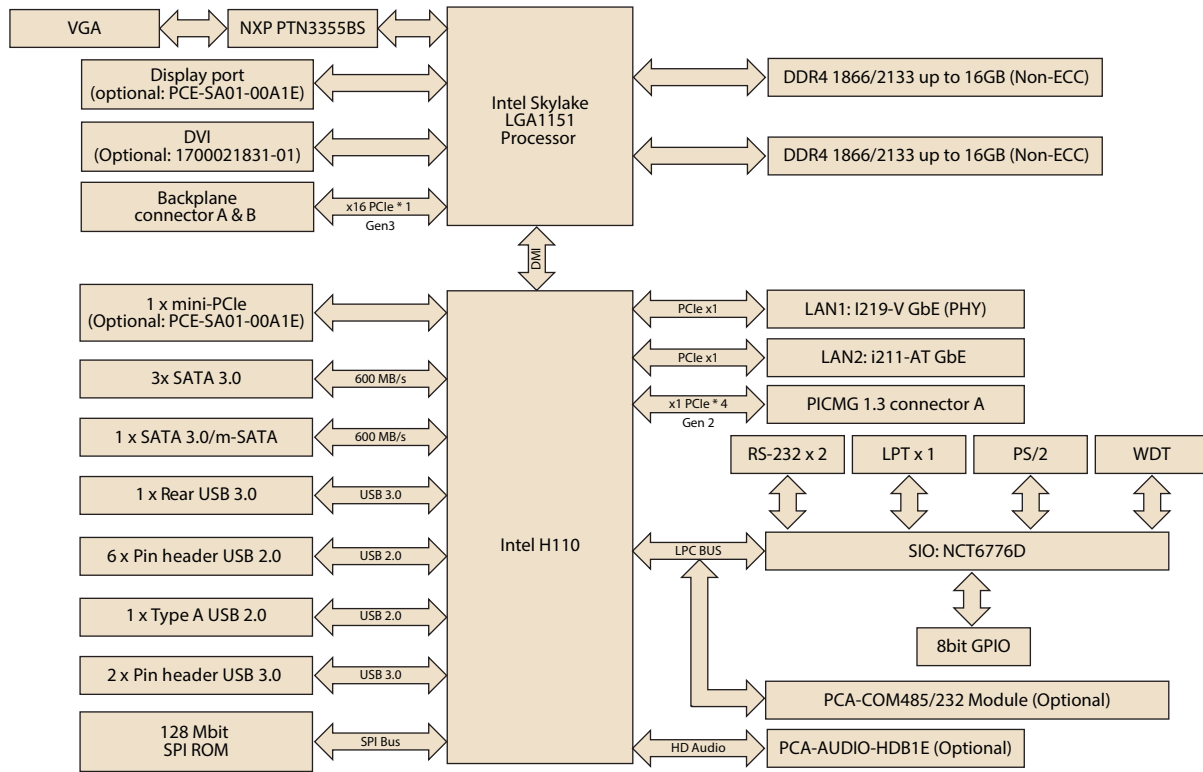
- Complies with PICMG 1.3
- Supports Intel® Core™ i7/i5/i3/Celeron®/Pentium® processor with H110 chipset
- Dual Channel (Non-ECC) DDR4 1866/2133 up to 32 GB
- Supports USB 3.0, SATA III, PCIe 3.0
- Supports CRT and DVI-D/DP (optional) display
- Supports Advantech TPM module (optional)
- Supports WISE-DeviceOn and embedded software APIs

Note: Intel 7th generation processor only support Windows 10 (64-bit)

Specifications

		i7-7700	i7-7700T	i7-6700	i7-6700TE	i5-7500	i5-7500T	i5-6500	i5-6500TE	i3-7101E	i3-7101TE	i3-6100	i3-6100TE	G4400	G4400TE	G3900	G3900TE	
Processor System	CPU	7700	7700T	6700	6700TE	7500	7500T	6500	6500TE	7101E	7101TE	6100	6100TE	G4400	G4400TE	G3900	G3900TE	
	Base Frequency	3.6 GHz	2.9 GHz	3.4 GHz	2.4 GHz	3.4 GHz	2.7 GHz	3.2 GHz	2.3 GHz	3.9 GHz	3.4 GHz	3.7 GHz	2.7 GHz	3.3 GHz	2.9 GHz	2.8 GHz	2.6 GHz	
	L3 Cache	8 MB	8 MB	8 MB	8 MB	6 MB	6 MB	6 MB	6 MB	3 MB	3 MB	4 MB	4 MB	3 MB	3 MB	2 MB	2 MB	
	SKU/Chipset	Intel H110																
	BIOS	AMI 128 Mbit SPI Flash																
Bus	PCI-Express	One x16 (Gen 3) plus four x1 (Gen 3) to backplane																
Memory	Technology	Dual channel (Non-ECC) DDR4 1866/2133 up to 32 GB																
	Max. Cap.	32 GB (16 GB per DIMM)																
	Socket	DDR4 260-pin SO-DIMM x2																
Graphics	Controller	Chipset integrated Intel HD Graphics																
	VRAM	Shared system memory is subject to OS																
	CRT	Supports resolution up to 1920 x 1200 pixel at 60Hz																
	Display Port	Supports resolution up to 4096 x 2304 pixel at 60Hz																
	DVI-D	Supports resolution up to 1920 x 1200 pixel at 60Hz																
	Dual Independent Display	VGA+ DVI-D/DP (Optional)																
Ethernet	Interface	10/100/1000 Mbps																
	Controller	LAN 1: Intel I219V LAN 2: Intel I211AT																
	Connector with LED	RJ-45 x 2																
Rear I/O	USB 3.0	1																
	Ethernet	2																
	VGA	1																
	PS/2	1 (PS/2 Y cable supports 1 x keyboard and 1 x mouse)																
Internal Connector	USB	7 USB 2.0 (Pin-header *6 + USB Type A *1); 2 USB 3.0 (Pin header)																
	SATA/m-SATA	SATA III x4 (600MB/sec)**** or SATA III x3 (600MB/sec)+m-SATA x1 (Optional: PCE-SA01-00A1E, PCIe Gen 2.0)																
	mini-PCle																	
	DVI-D	1																
	DP	1																
	COM	2 (RS-232)																
	GPIO	8 bits																
Watchdog Timer	Output	System reset																
	Interval	Programmable 1-255 sec																
Miscellaneous	Audio	Intel High Definition audio interface (required an audio extension module P/N: PCA-AUDIO-HDB1E)																
	Test Environment	Intel Core i7-6700 (3.4GHz), DDR4 2133 8GB *2																
Power Requirement	Voltage	12V	5V	3.3V	5VSB	-12V	-5V											
	Current	4.6	0.01	0.32	0.08	0	0											
Environment	Operating																Non-operating	
	Temperature/Humidity	0 ~ 60 °C (32~140 °F); Depends on CPU frequency and cooler solution															-40 ~ 85 °C and 60 °C @ 95% RH	
Physical	Operating humidity:	40 °C @ 85% RH Non-Condensing															Non-Condensing	
	Dimensions (L x H)	167.64 x 126.39 mm (6.6" x 4.98")																

Board Diagram



Ordering Information

Part Number	PCH	Memory	Backplane	LAN	VGA	DVI-D	DP	COM	SATA III/ m-SATA	mini-PCle	USB 2.0	USB 3.0	S/W RAID	AMT
PCE-3029G2-00B2E	H110	Non-ECC	PCE-3BXX	2	1	1*	1**	2 RS-232 4 RS-422/485 or 4 RS-232 (optional)***	4/0 **** 3/1	1**	7	3	No	No

* DVI-D cable (1700021831-01) is optional.

** PCE-SA01-00A1E is required.. PCE-SA01-00A1E is compatible with IPC-3026/IPC-6806S/ACP-4020, and not compatible with IPC-3012.

***PCA-COM485-00A1E is required for additional 4 RS422/485; PCA-COM232-00A1E is required for additional 4 RS232.

****PCE-3029G2 only support 3*SATA III and 1*mSATA, if 4*SATA is required, need to apply customized Part Number.

Packing List

Part Number	Description	Quantity
1700003194	Serial ATA HDD data cable	x1
1700008762	2-port COM cable	x1
1700002223	1-port LPT cable	x1
1700060202	Keyboard and mouse Y-cable	x1
1700028292-01	2 ports USB 3.0 cable W/BKT	x1
1700014398-11	4-port USB cable kit	x1
2001302910	Startup manual	x1
2061302900	Utility CD	x1

Optional Accessories

Part Number	Description
PCA-COM485-00A1E	4 x RS-422/485 module
PCA-COM232-00A1E	4 x RS-232 module
PCA-AUDIO-HDB1E	Audio module with Realtek ACL892
PCA-TPM-00B1E	TPM 2.0 module
PCE-SA01-00A1E	IO extension module
1700021831-01	DP to DVI-D cable w/ BKT
1960053065N001	CPU cooler for 1U Chassis and 55W TDP
1960053207N001:	CPU cooler for 1.5U Chassis and 65W TDP
1960050255N001/ 1960077101N001	CPU cooler for 2U Chassis and 95W TDP

Bracket View



PCE-3029G2-00B2E