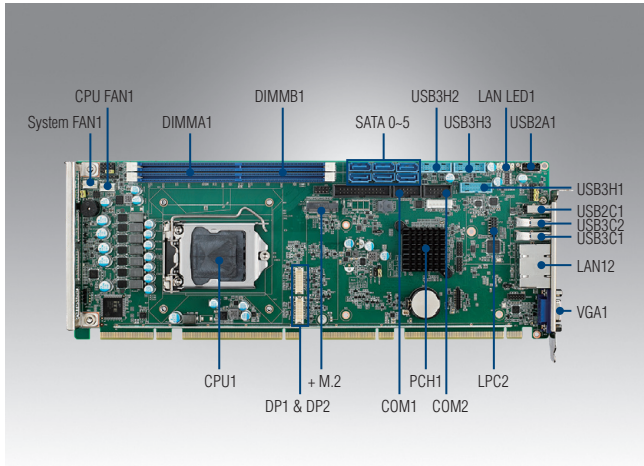


PCE-7132

LGA1200 10th Generation Intel® Xeon® W/Core™ i9/i7/i5/i3/Pentium® System Host Board with DDR4, SATA 3.0, USB 3.2, M.2, Dual GbE, and Triple Displays



Features

- Intel® Xeon® W Family/Core™ i9/i7/i5/i3 LGA1200 processor with W480E chipset
- Up to 64 GB of dual-channel (non-ECC) DDR4 2666/2933 MHz
- PCIe 3.0, M.2, USB 3.2, SATA 3.0, and SW Raid 0, 1, 5, 10
- Supports VGA and 2 x DVI-D/DP display (with optional cable)
- Supports out-of-band remote management with AMT
- Supports Advantech's LPC modules, SUSI 4.0, and embedded software APIs

Note: Legacy platform is not supported.

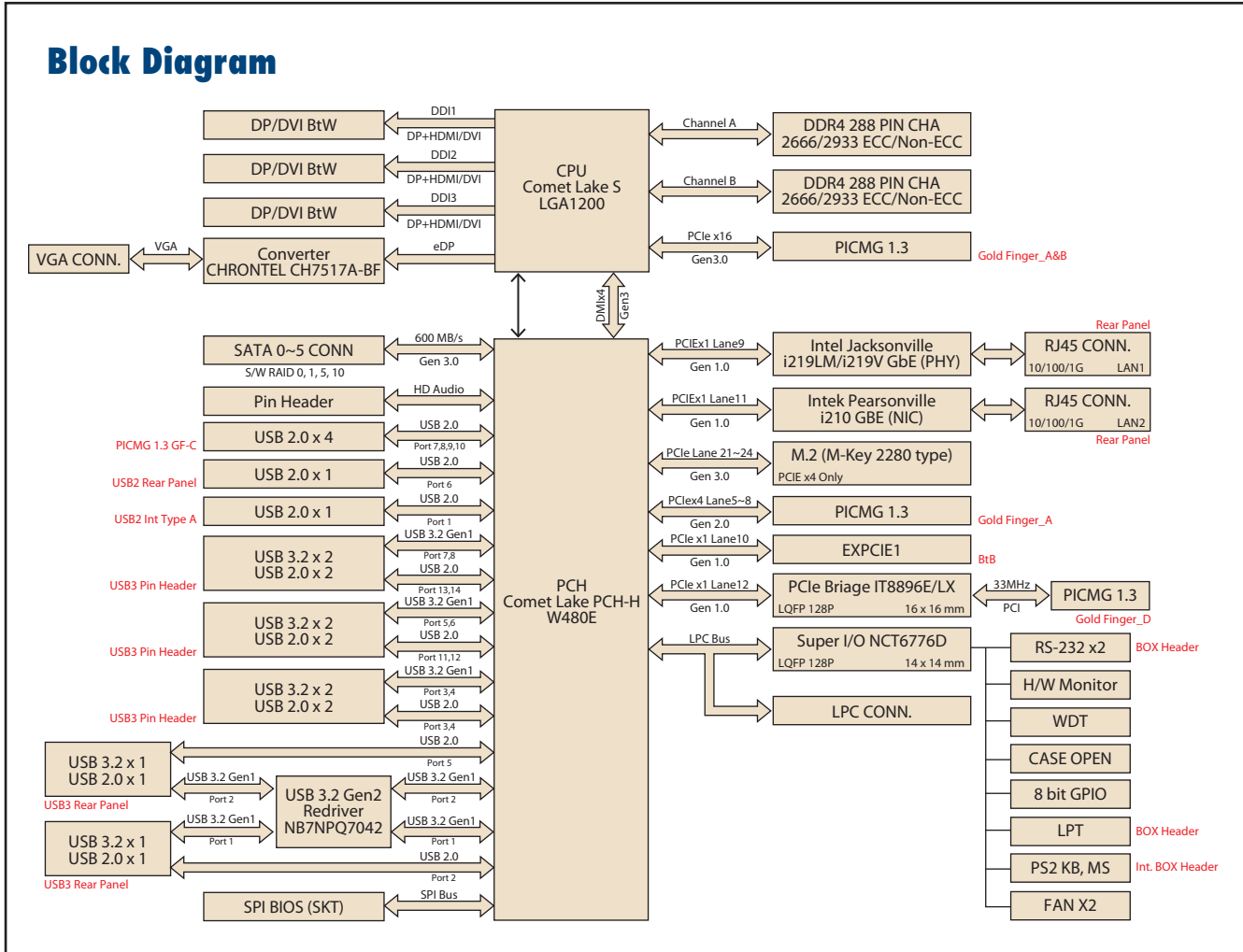
Quiet

Specifications

CE FCC

Processor System	CPU	i9-10900K	W-1290E	W-1290TE	W-1270E	W-1270TE	W-1250E	W-1250TE	i9-10900E	i9-10900TE	i7-10700TE	i7-10700E
	Speed	3.7GHz	3.50GHz	1.80GHz	3.40GHz	2.00GHz	3.50GHz	2.40GHz	2.80GHz	1.80GHz	2.00GHz	2.90GHz
	L3 Cache	20MB	20MB	20MB	16MB	16MB	12MB	12MB	20MB	20MB	16MB	16MB
	Cores	10	10	8	8	6	6	6	10	10	8	8
	TDP	125W	95W	35W	80W	35W	80W	35W	65W	35W	35W	65W
	SKU/Chipset	Intel® W480E										
BIOS	AMI® SPI Flash 256 Mbit											
Processor System	CPU	I5-10500E		I5-10500E	I5-10500TE	I3-10100E	I3-10100TE					
	Speed	3.10GHz		3.10GHz	2.30GHz	3.60 GHz		2.30GHz				
	L3 Cache	12MB		12MB	12MB	6MB		6MB				
	Cores	6		6	6	4		4				
	TDP	65 W		65W	35W	65W		35W				
	SKU/Chipset	Intel® W480E										
BIOS	AMI® SPI Flash 256 Mbit											
Bus	PCI-Express	1 x PCIe x16/2 x PCIe x8 and 1 x PCIe x4 to backplane										
	PCI	4 x PCI master to backplane, 32-bit, 33 MHz										
Memory	Technology	Dual-channel (non-ECC) U-DIMM DDR4 2666/2933 MHz (supports x8 DDR4 1024 M) (Note: Intel ECC-supported processor must be selected to enable ECC function)										
	Max. Capacity	Up to 64GB (based on CPU)										
	Socket	2 x DDR4 288-pin DIMM										
Graphics	Controller	Chipset integrated with Intel® HD Graphics										
	VRAM	Shared system memory is subject to OS										
	VGA	Supports resolutions of up to 2048 x 1152 pixel @ 60 MHz										
	DVI-D	Supports resolutions of up to 1920x 1200 @ 60 MHz										
	Display Port	Supports resolutions of up to 4096 x 2160 @ 60 MHz										
Ethernet	Triple Display	VGA+DP/DVI-D+DP/DVI-D										
	Interface	10/100/1000 Mbps										
	Controller	LAN 1: Intel® I219-LM LAN 2: Intel® I210-AT										
	Connector with LED	2 x RJ45										
	Rear I/O	USB 3.2 Gen2	2									
USB2.0		1										
Ethernet		2										
VGA		1										
Internal Connector		USB	5 x USB 2.0 (1 USB Type A + 4 on backplane), 6 x USB 3.2									
	SATA (SW Raid 0,1,5,10)	6										
	M.2 (2280 Type M)	1 (PCIe x4)										
	DP/DVI-D	2 (Pin header)										
	COM	2										
	IrDA	1										
	GPIO	8bit										
	Watchdog Timer	Output	System reset									
Interval		Programmable 1-255 sec										
Miscellaneous	Audio	Intel® High Definition audio interface (requires audio extension module PCA-AUDIO-HDB1E)										
	Test Environment	Intel W-1290E, Memory 2* DDR4 2666U 32GB										
Power Requirement	Voltage	+3.3V, +5V, +12V										
	Current	1.15A, 1.54A, 1.38A										
	Operating											
Environment	Temperature	0 ~ 60 °C (dependent on CPU and cooler solution)									Non-Operating	
	Humidity	40 °C @ 85% relative humidity (non-condensing)									-40 ~ 85 °C	
	Dimensions (L x H)	338 x 122 mm (13.3" x 4.8")										
Physical	Dimensions (L x H)	338 x 122 mm (13.3" x 4.8")										

Block Diagram



Ordering Information

Part Number	PCH	Memory	Backplane	LAN	VGA	DP/DVI-D	COM	SATA III	M.2	USB 2.0	USB 3.1 (Gen1)	USB3.1 (Gen2)	S/W Raid	AMT
PCE-7132G2-00A2	W480E	ECC/Non-ECC	PCE-5BXX PCE-7BXX	2	Yes	2*	2	6	1	6	6	2	Yes	Yes

Note: DP/DVI-D cable is optional

Packing List

Part Number	Description	Quantity
1700003194	Serial ATA HDD data cable	x2
1701260305	COM + printer ports cable kit	x1
2190000902	Warranty card	x1
2041513200	Startup manual	x1

Optional Accessories

Part Number	Description
1960049408N001	CPU cooler for 1U Chassis and 84W TDP
1960050255N001	CPU cooler for 2U Chassis and 95W TDP
1960052651N021	CPU cooler for 2U/4U Chassis and 80W TDP
1960067860N001	CPU cooler for 2U/4U chassis and 125W TDP
PCA-AUDIO-HDB1E	Audio module
PCA-COM232-00A1E	4-port RS-232 LPC module
PCA-COM485-00A1E	4-port RS-422/485 LPC module
1700002204	2-port USB2.0 cable w/BKT (27 cm)
1700020277-01	2-port USB 3.0 cable w/ BKT (30 cm)
1700031719-01	4-port USB 3.0 cable w/ BRK (30 cm)
1700021831-01	DP to DVI-D cable w/ BKT
PCE-DP10-00A1E	DP to DP cable w/ BKT
PCA-TPM-00B1E	TPM 2.0 module
PCE-SA01-00A1E	Extension Stack Board
20706WX9HS0098	PCE-7132 win 10 embedded OS (high-end)
20706WX9VS0102	PCE-7132 win 10 embedded OS (value)
20706WX9ES0112	PCE-7132 win 10 embedded OS (entry)

* for PCE-7132/5132/5032, PCE-SA01-00A1E miniPCIe only support PCIe1 signal

I/O View



PCE-7132G2-00A2