

# PCM-24D2R2 PCM-24D2R4 PCM-24D4R2 PCM-24D4R4

2-Port Isolated RS-232, mPCIe, DB9

2-Port Isolated RS-422/485, mPCIe, DB9

4-Port Non-Isolated RS-232, mPCIe, DB37 cable

4-Port Non-Isolated RS-422/485 mPCIe, DB37 cable



PCM-24D2R2  
PCM-24D2R4

PCM-24D4R2  
PCM-24D4R4



## Features

- Meets Advantech iDoor Technology Standard
- PCI Express® Mini Card Specification Revision 1.2 compliant
- Speeds up to 921.6 kbps for extremely fast data transmission
- Supports any baud rate setting (50 bps ~ 921.6 kbps)
- Supports both Isolated & Non-Isolated Protection with 2/4 ports RS-232/422/485
- I/O address automatically assigned by PCIe plug & play
- Supports Windows XP/Vista/7, Linux Ubuntu 12.10
- OXPCle952/OXPCle954 UART with 128-byte FIFOs standard
- Supports Embedded Automation PC UNO-2200/2300/2400 series
- Supports Control DIN-Rail PC UNO-1200/1300/1400 series
- Supports Control Cabinet PC UNO-3200/3300/3400 series
- Supports Control Panel Computers TPC-xx81/xx82 series
- Supports Thin Client Panel Computers TPC-xx51 series

## Introduction

The PCM-24 series are communication modules from Advantech iDoor Technology. They are all compatible with PCI Express® Mini Card Specification Revision 1.2, including isolated / non-isolated RS-232/422/485 communication cards for automation control, Wi-Fi/3G/GPS/GSM/LTE wireless communication models for data exchange for management and machine level automation applications; ZigBee module serves as an IoT terminal or controller and PoE function for smart cameras in detection-inspection-production applications. This is a flexible design that enables customers to customize their features with iDoor Technology.

## Specifications

### General

- Bus Type** PCI Express Mini Card Revision 1.2
- Certification** CE, FCC class A
- Connectors** 2 x Male DB9 for PCM-24D2xx  
1 x Female DB37 for PCM-24D4xx
- Dimensions** Module: 51 x 30 x 12.4 mm (2" x 1.18" x 0.49")  
I/O Plate: 81 x 19.4 x 41 mm (3.19" x 0.76" x 1.61")
- Power Consumption** 400 mA @ +3.3 V for PCM-24D2xx  
500 mA @ +3.3 V for PCM-24D4xx

### Communications

- Comm. Controller** OXPCle952 for PCM-24D2xx  
OXPCle954 for PCM-24D4xx
- Data Bits** 5, 6, 7, 8
- Data Signals** RS-232: TX+, RX-, RTS, CTS, DTR, DSR, DCD, DI, GND  
RS-422: TX+, TX-, RX+, RX-, (PCM-24D4R4)  
TX+, TX-, RX+, RX-, CTS+, CTS-, RTS+, RTS- (PCM-24D2R4)  
RS-485: Data+, Data-  
128 bytes  
RTS/CTS (PCM-24D4R4 not supported), Xon/Xoff  
None, Odd, Even, Mark and Space  
200 bps ~ 921.6 kbps (PCM-24D2R4 & PCM-24D4R4)  
230.4 kbps (PCM-24D2R2 & PCM-24D4R2)
- Stop Bits** 1, 1.5, 2

### Protection

- Isolation Protection** 2,000 V<sub>DC</sub> for PCM-24D2xx only
- ESD Protection** 15 KV
- EFT Protection** 2,500 V
- Surge Protection** 1,000 V<sub>DC</sub>

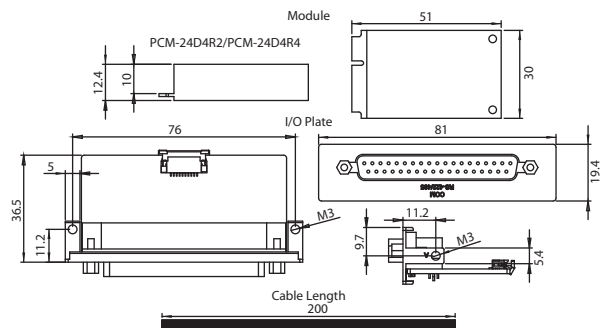
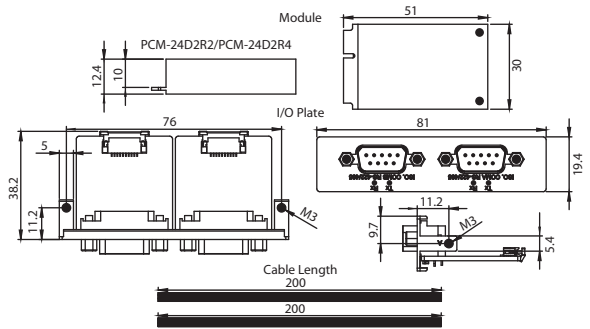
### Software

- Bundled Software** ICOM Tools & Drivers
- OS Support** Microsoft® Windows® XP/Vista/7/8/10, Linux Ubuntu 12.10

### Environment

- Humidity (Operating)** 5-95% RH, non-condensing
- Operating Temperature** -20 ~ 60°C (-4 ~ 140°F)
- Storage Temperature** -40 ~ 85°C (-40 ~ 185°F)

## Dimensions



## Ordering Information

- PCM-24D2R2-AE** 2-Port Isolated RS-232, mPCIe, DB9
- PCM-24D2R4-AE** 2-Port Isolated RS-422/485, mPCIe, DB9
- PCM-24D4R2-AE** 4-Port Non-Isolated RS-232, mPCIe, DB37 cable
- PCM-24D4R4-AE** 4-Port Non-Isolated RS-422/485 mPCIe, DB37 cable