

# PPC-3150S

## 15" Fanless Panel PC with Intel® Celeron® N2930 Processor

**NEW**



### Features

- Industrial 15" TFT XGA LED panel with 50k lifetime backlight
- Durable 5-wire Resistive Touch Screen
- Embedded Intel® processor, quad core Celeron® N2930 1.83GHz onboard
- System memory up to 8 GB DDR3L SDRAM
- Compact Fanless Design with solid Al Alloy enclosure
- True-flat with IP65 certified front panel protection
- E-Eye Monitoring and Protection
- Supports Full-size Mini PCIe Expansion
- Supports USB 3.0
- Supports Windows Embedded and Android
- Supports VESA 75



### Introduction

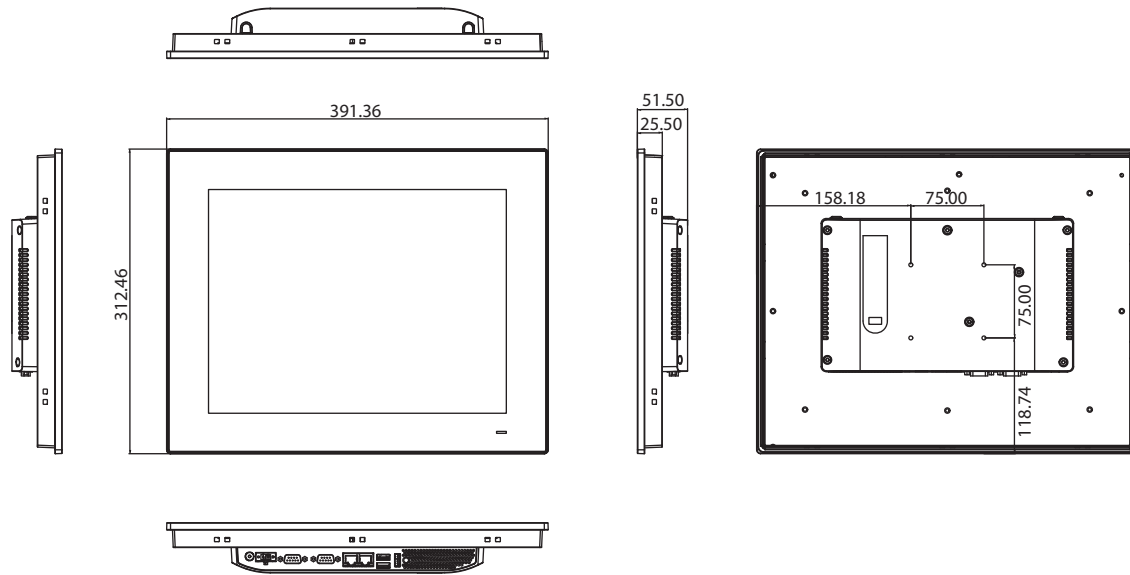
The PPC-3150S is a high value, ultraslim Panel PC with a 15" XGA LCD; the low power, Intel® Celeron N2930 1.83GHz processor provides high computing performance in a compact, fanless, embedded system. With a high durability design, the PPC-3150S is equipped with a true-flat touch screen with IP65 front panel protection, die-cast Al alloy enclosure, and 5-wire resistive touch screen. It supports two serial ports, three USB ports, and two GbE LANs to satisfy various industrial applications. To provide further system monitoring and protection, the E-Eye in the PPC-3150S rear cover gives clear indication of system operating status, for detection and analysis.

### Specifications

|                                 |                                |   |
|---------------------------------|--------------------------------|---|
| <b>Processor System</b>         | CPU                            | Intel® Celeron® N2930, Quad core  |
|                                 | Frequency                      | 1.83 GHz  |
|                                 | 2nd Cache                      | 2 MB  |
|                                 | Memory                         | 1 x SO-DIMM, DDR3L 1333, Max 8 GB   |
|                                 | Storage                        | 1 x 2.5" SATA Bay (Optional, need ordering bracket module for installation)<br>1 x mSATA Bay (default)  |
|                                 | Network (LAN)                  | 2 x 10/100/1000 Mbps Ethernet (Intel I211-AT)   |
|                                 | I/O ports                      | 2 x Serial ports: 1 x RS-232, 1x RS-232/422/485 (Adjustable through BIOS)<br>2 x USB 2.0, 1 x USB 3.0   |
|                                 | Expansion                      | 1 x Full size Mini PCIe slot  |
| <b>Physical Characteristics</b> | Watchdog Timer                 | 255 timer levels, set up by software  |
|                                 | Dimensions                     | 391.36 x 312.46 x 51.5mm(15.4" x 12.3" x 2.0")  |
| <b>OS Support</b>               | Weight                         | 4Kg (8.8lb)   |
|                                 | OS Support                     | Microsoft® Windows 7 32bit&64bit/Windows 8.1 32bit&64bit/Windows 10 32bit&64bit/WES7/WEC 7/Linux/Android 4.4                                      |
| <b>Power Consumption</b>        | Input Voltage                  | 12- 24 Vdc  |
|                                 | Power Consumption              | 20W (Burn-in test 7.0 in Windows 7 32 bit)  |
| <b>LCD Display</b>              | Display Type                   | 15" TFT LCD (LED backlight)   |
|                                 | Resolution                     | 1024 x 768  |
|                                 | Viewing Angle                  | 80 (left), 80 (right), 70 (up), 70 (down)   |
|                                 | Luminance (cd/m <sup>2</sup> ) | 400   |
|                                 | Contrast Ratio                 | 700   |
|                                 | Backlight Lifetime             | 50,000 hrs  |
| <b>Touchscreen</b>              | Touch Type                     | Resistive 5 wires   |
|                                 | Light Transmission             | 80±5% at 550 nm wavelength  |
|                                 | Controller                     | RS232 interface   |
|                                 | Durability (Touches)           | 36 million  |
| <b>Environment</b>              | Operating Temperature          | 0 ~ 50°C (32 ~ 122°F) with SSD<br>0 ~ 40°C (32 ~ 104°F) with HDD (HDD test condition:the SPEC of HDD temperature need more than or equal to 65°C) |
|                                 | Storage Temperature            | -40 ~ 60°C (-40 ~ 140°F)  |
|                                 | Relative Humidity              | 10 ~ 95% @ 40°C (non-condensing)  |
|                                 | Shock                          | Operating 10 G peak acceleration (11 ms duration), follow IEC 60068-2-27  |
|                                 | Vibration                      | Operating Random Vibration Test 5 ~ 500Hz, 1Grms @with HDD; 2Grms @with SSD, follow IEC 60068-2-64  |
|                                 | EMC                            | CE, FCC Class B, BSMI   |
|                                 | Safety                         | CB, CCC, BSMI, UL   |
| Front Panel Protection          | IP65 compliant                 |   |

## Dimensions

Unit: mm

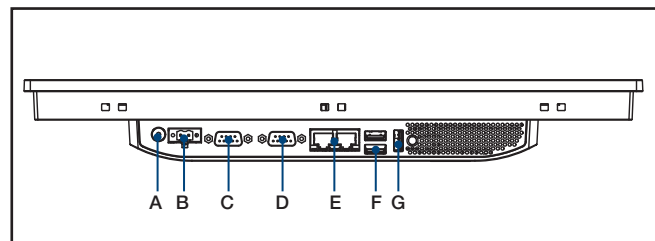


Cut-out Dimensions: 382 x 303 mm

## Ordering Information

| Part No.          | Description   |
|-------------------|---|
| PPC-3150S-RAE     | Intel Celeron N2930 Fanless Panel PC with 15" XGA LED backlight |
| PPC-3100S-HDDE    | Bracket module for 2.5" SSD/HDD installation                    |
| 96PSA-A90W190T-1  | ADP A/D 100-240V 90W 19V W/PFC                                  |
| PPC-WLAN-B1E      | Wi-Fi Module with Antenna Cable 40cm for PPC                    |
| PPC-ARM-A03       | ARM VESA Standard (A-CLEVER) for PPC series                     |
| PPC-174T-WL-MTE   | Wall mount kit for PPC series                                   |
| PPC-Stand-A1E     | Stand for PPC series  |
| 98R3612000E       | mSATA/CFast to USB card reader                                  |
| 98R3415010E       | Front USB on cabinet module with Cable 100cm                    |
| 1700001524        | Power cord 3P UL 10A 125V 1.8M                                  |
| 170203183C        | Power cord 3P Europe (WS-010+083) 183cm                         |
| 1700008921        | Power cord 3P/3P 1.8M PSE                                       |
| 96CB-POWER-B-1.8M | Power code 3P CCC(China) 1.8M                                   |
| 2070014862        | Image WIN10ENT LTSB 64-bit PPC-3150S Multi V6.01                |
| 2070014419        | Image WS7P 64-bit PPC-3150S Multi V4.14                         |
| 2070014473        | Image WEC7 PPC-3120S MUI v4.01                                  |

## I/O Appearance



- A. Power Switch
- B. DC-In
- C. RS-232
- D. RS-232/422/485
- E. 2 x RJ45 LAN
- F. 1 x USB 2.0, 1 x USB 3.0
- G. USB 2.0