

TPC-1051WP

10.1" WXGA TFT LED LCD Intel® Atom™ Thin Client Terminal

NEW



Features

- Industrial 10.1 TFT LCD with 25K Lifetime LED Backlight
- Intel® Atom™ E3827 1.75 GHz Processor with 4GB DDR3L SDRAM
- 16:9 Wide Screen with PCT Multi-Touch
- IP66 Approved Front Protection & Panel Mounting
- Built-in Intelligent Home key and i Key for an intuitive user interface
- Front LED Indicator to Show Operating Status
- Supports iDoor with optional accessory kit
- Chassis Grounding Protection
- Anti-scratch surface: 7H hardness
- AC/DC support (option by Power adapter)
- Supports Advantech SNMP Subagent
- Supports Advantech WISE-PaaS/RMM Remote Device Management Software

Introduction

The TPC-1051WP is a thin client terminal with a 10.1" WXGA LCD, low power embedded Intel® Atom™ E3827 1.75 GHz Processor and 4GB DDR3L SDRAM provides adequate computing performance in a compact fanless system. The TPC-1051WP is a true-flat touch screen design with IP66 front protection, die-cast Aluminate Alloy front bezel and Projected capacitive touch. Furthermore, the TPC-1051WP is easy for you to embed into your equipment because of its small yet robust design. In addition, through the Mini-PCIe slot, Advantech iDoor technology (optional) can provide more I/O connectors, Isolated Digital I/O, the Fieldbus Protocol, 3G/GPS/GPRS/Wi-Fi Communication and MRAM to fulfill different kinds of the industrial automation application.

Specifications

General

- BIOS**: AMI UEFI
- Certification**: BSMI, CCC, CE, FCC Class A, UL
- Cooling System**: Fanless design
- Dimensions (W x H x D)**: 283.1 x 202.3 x 61.4 mm (11.15" x 7.96" x 2.42)
- Enclosure**: Front bezel: Die-cast Aluminum alloy
Back housing: SECC
- Mounting**: Desktop, Wall, Panel Mount, and VESA mount (with optional kit)
- OS Support**: Microsoft® WEST 32bit/64bit / Windows 7 32bit/64bit, Windows 8.1 32bit/64bit / Windows 10 Enterprise LTSB
- Power Input**: 24 V_{DC} ± 20%
- Power Consumption**: 36 W(Typical)
- Watchdog Timer**: 1 ~ 255 sec (system)
- Weight (Net)**: 2.56 Kg (5.64 lbs)

System Hardware

- CPU**: Intel® Atom™ E3827 1.75 GHz Processor
- Memory**: 4GB (8GB optional) DDR3L 1600MHz SO-DIMM SDRAM
- LAN**: 10/100/1000 Base-T x 2
- Expansion Slots**: Full-size Mini PCI-E
- Storage**: CFast slot x 1
2.5" SATA SSD slot x 1 (optional)
- I/O**: RS-232 x 1, RS-232/422/485 x 1
USB 3.0 x 1
USB 2.0 x 1

LCD Display

- Display Type**: WXGA TFT LED LCD
- Display Size**: 10.1"
- Max. Resolution**: 1280 x 800
- Max. Colors**: 262k
- Luminance cd/m²**: 300
- Viewing Angle (H/V°)**: 170/170
- Backlight Life**: 25,000 hrs
- Contrast Ratio**: 1300:1

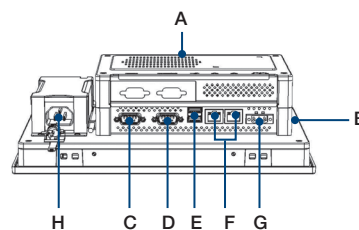
Touchscreen

- Light Transmission**: 90% ± 3%
- Resolution**: 2048 x 2048 dot
- Type**: Projected capacitive

Environment

- Humidity**: 10 ~ 95% RH @ 40°C, non-condensing
- Ingress Protection**: Front panel: IP66
- Operating Temperature**: -20 ~ 55°C (-4 ~ 131°F)
- Storage Temperature**: -30 ~ 70°C (-22 ~ 158°F)
- Vibration Protection**: With HDD: 1 Grms (5 ~ 500 Hz), (Operating, random vibration)

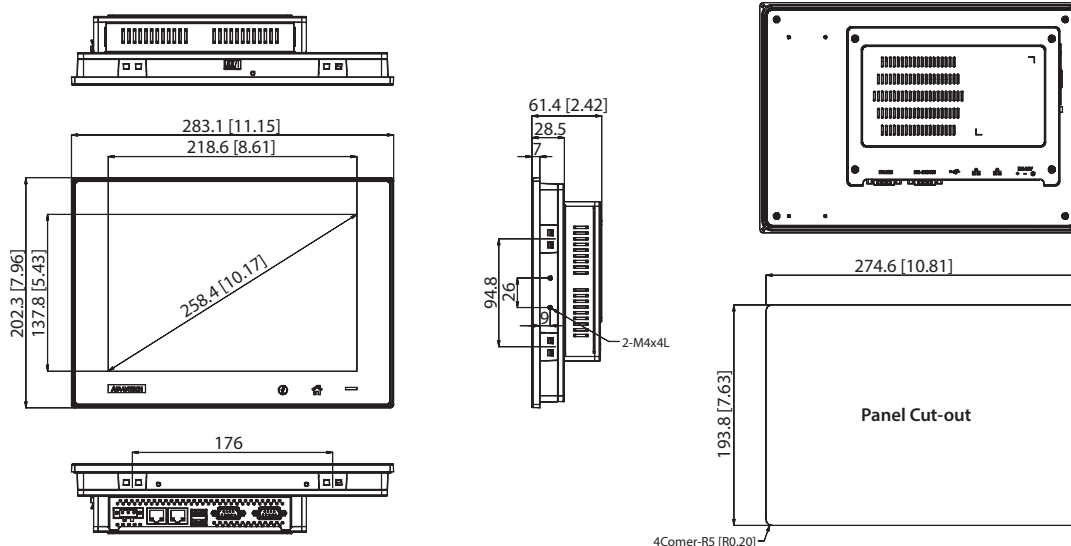
Rear View



- A. External HDD/iDoor kit (TPC-1251T-EHKE) (Optional)
- B. CFast
- C. RS-232
- D. RS-232/422/485
- E. USB 3.0 & 2.0
- F. LAN (10/100/1000)
- G. Power Inlet
- H. Power adapter and Bracket (option)

Dimensions

Unit: mm [inch]



TPC-1051WP Panel Cut-out Dimensions: 274.6 x 193.8 mm

Ordering Information

- **TPC-1051WP-E3AE** 10.1" Multi-Touch Panel PC, Intel Atom E3827, 4GB DDR3L pre-installed

Optional Accessories

- **TPC-1000H-ADKE** 63W DC 24V/2.62A Power supply & bracket for TPC-xx51WP series
- **TPC-1251T-EHKE** HDD and iDoor extension kit
- **1702002600** Power Cable US Plug 1.8 M
- **1702002605** Power Cable EU Plug 1.8 M
- **1702031801** Power Cable UK Plug 1.8 M
- **1700000596** Power Cable China/Australia Plug 1.8 M

Embedded O/S

- **2070013484** TPC-xx51WP WS7P x64 MUI Image v4.13
- **2070013485** TPC-xx51WP WEC7 X64 MUI Image V4.00

S/W Bundle Offering

- **WA-HT1051W-E15H1AE** TPC-1051WP-E3AE, HMI Runtime 1500 tags, 32G CFast, WES7P

iDoor Modules (TPC-1251T-EHKE is required for iDoor modules)

- **PCM-26D2CA-AE** SJA1000 CANBus, CANOpen, DB9 x 2
- **PCM-26D1DB-MAE** Hilscher netX100 FieldBus, ProfiBus, DB9 x 1
- **PCM-27D24DI-AE** Digital I/O, 16 DI / 8 DO, Isolation, DB37 x 1
- **PCM-24D2R4-AE** OXPcie-952 UART, Isolated RS-422/485, DB9 x 2
- **PCM-24D2R2-AE** OXPcie-952 UART, Isolated RS-232, DB9 x 2
- **PCM-24R2GL-AE** 2 Port Giga LAN Intel i350 PCIe mini card
- **PCM-24R1TP-AE** Intel 82574L, GbE, IEEE 1588 PTP, RJ45 x 1
- **PCM-24S2WF-AE** 802.11 a/b/g/n 2T2R w/ BT4.0, Atheros AR9462

Application Software

<p>WebAccess/SCADA</p>	<p>Advantech WebAccess is a 100% web based SCADA (Supervisory Control And Data Acquisition) software and it acts as an IIoT Platform providing open interfaces for partners to develop IoT applications for different vertical markets. In addition to traditional SCADA functions, WebAccess has an intelligent Dashboard, to provide users with cross-platform, cross-browser data analysis and user interface using HTML5 technology. As well as the built-in widgets, WebAccess also provides Widget Builder to allow customers to build their own.</p>
<p>WebAccess/HMI</p>	<p>WebAccess/HMI is Human Machine Interface (HMI) software based on Microsoft's Windows operating system. It utilizes a PC's ample resources, ie speed, storage, multimedia, peripheral devices, and large screen to produce a complex human-machine interface. WebAccess/HM with its communication and monitoring ability supports more than 350 PLC communication protocols and a wide choice of screen design objects, to satisfy multiple integrations of factory automation and all-round human-machine interface operation and monitoring requirements.</p>