

UNO-1372GH

Class I, Division 2 Certified Intel® Atom™ Quad-Core Control DIN-rail PC

NEW



Introduction

In hazardous locations, devices are under potential danger from flammable gases, combustible dust, or ignitable fibers, creating the potential for fire and explosions. The UNO-1372GH is designed to be safely operated in these locations and are UL listed for Hazardous Locations with Class I, Division 2, groups A, B, C, D T4A certification. The UNO-1372GH is an Intel Atom DIN-rail PC which features an innovative iDOOR Technology for automation applications. It provides rich I/O include 3 x GbE, 3 x USB, 2 x COM, 1 x VGA, 1 x HDMI, Audio, iDoor, 8 x DIO, all of them can be locked with system by lockable kit to make sure spark-free in harsh environment.

Specifications

General

- **Certification** CE, FCC, UL, CCC, BSMI
Class I, Division 2, Groups A,B,C,D, Hazardous Location, Temperature code: T4A, Ambient Temperature Range: -20°C ~ 60°C
- **Dimensions (W x D x H)** 85 x 139 x 152 mm (3.3" x 5.5" x 6.0")
- **Form Factor** Small Size
- **Enclosure** Aluminum Housing
- **Mounting** DIN-rail, Wallmount
- **Weight (Net)** 1.6kg (3.5lbs)
- **Power Requirement** 9~36Vdc (Recommend 12/24 Vdc)
- **Power Consumption** 24W (Typical), 50W (Max)
- **OS Support** Microsoft® Windows 7/8, WES7, WIN10 Ent. LTSB, AdvLinux

System Hardware

- **BIOS** AMI UEFI 128Mbit Flash BIOS
- **Watchdog Timer** Programmable 255 levels timer interval, from 1 to 255 sec
- **Processor** Intel Atom E3845 1.91GHz, 2MB L2 Cache
- **System Chip** Integrated Intel SoC Chipset
- **Memory** Built-in 4GB DDR3L 1333 MHz (Up to 8GB)
- **Graphics Engine** Intel® HD Graphics
- **Ethernet** LAN A, B: Intel® i210-IT GbE, 802.1Qav, 802.1AS, 802.3az
LAN C: Realtek RTL8111E GbE
- **LED Indicators** LEDs for Power, battery, LAN (Active, Status), COM (Tx/Rx), HDD and Programmable LED
- **Storage** 1 x mSATA
- **Expansion** One drive bay for SATA 2.5" HDD (Compatible with 9.5mm height HDD)
2 x Full-size mPCIe slot

I/O Interfaces

- **Serial Ports** 1 x RS-232, DB9, 50~115.2kbps
1 x RS-422/485, DB9, auto flow control, 50~115.2kbps
- **LAN Ports** 3 x RJ45, 10/100/1000 Mbps IEEE 802.3u 1000Base-T Fast Ethernet
- **USB Ports** 3 x USB Ports (2 x USB2.0, 1 x USB 3.0)
- **Isolated DIO** 4-ch digital input, 4-ch digital output (2500 Vdc)
- **Displays** 1 x VGA, supports 1920 x 1080 @ 60Hz 24bpp
1 x HDMI 1.4a, supports 1920 x 1080 @ 60Hz 24bpp
- **Audio** Line-Out
- **Power Connector** 1 x 4 Pins, Terminal Block to support dual power input

Features

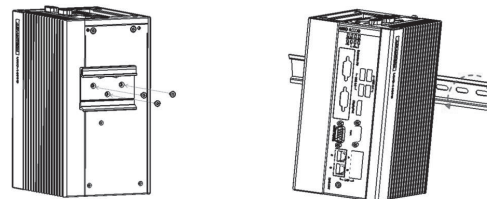
- UL listed for Hazardous Locations: Class I, Division 2
- Intel® Atom E3845 1.91GHz processor with 4GB DDR3L Memory
- 3 x GbE, 3 x USB, 2 x COM, 1 x VGA, 1 x HDMI, Audio, iDoor, mSATA, 2 x mPCIe, 1 x SATA, 4 x DI, 4 x DO, 1 x Power Terminal
- Spark-free design with lockable I/O kit
- Dual Power Input for Avoiding Power Down Time
- Exchangeable RTC Battery with easy Access on the Top
- Digital I/O with Isolation Protection for Sensing and controlling
- Diverse system IO and Supports Fieldbus Protocol by iDoor Technology as a Protocol Gateway
- 3G/GPS/GPRS/Wi-Fi Communication by iDoor Technology as a Communication Gateway
- Supports MRAM by iDoor Technology
- LAN Redundancy (Teaming)

Environment

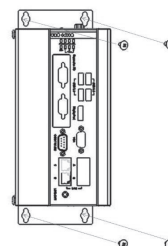
- **Operating Temperature** - 20 ~ 60°C (-4 ~ 140°F) @ 5 ~ 85% RH with 0.7m/s airflow (Industry SSD)
- **Storage Temperature** - 40 ~ 85°C (-40 ~ 185°F)
- **Relative Humidity** 95% RH @ 40°C, non-condensing
- **Shock Protection** Operating, IEC 60068-2-27, 50G, half sine, 11ms
- **Vibration Protection** Operating, IEC 60068-2-64, 5Grms, random, 5 ~ 500Hz, 1 hr/axis
- **Ingress Protection** IP40

Installation Scenario

DIN-rail mounting illustration



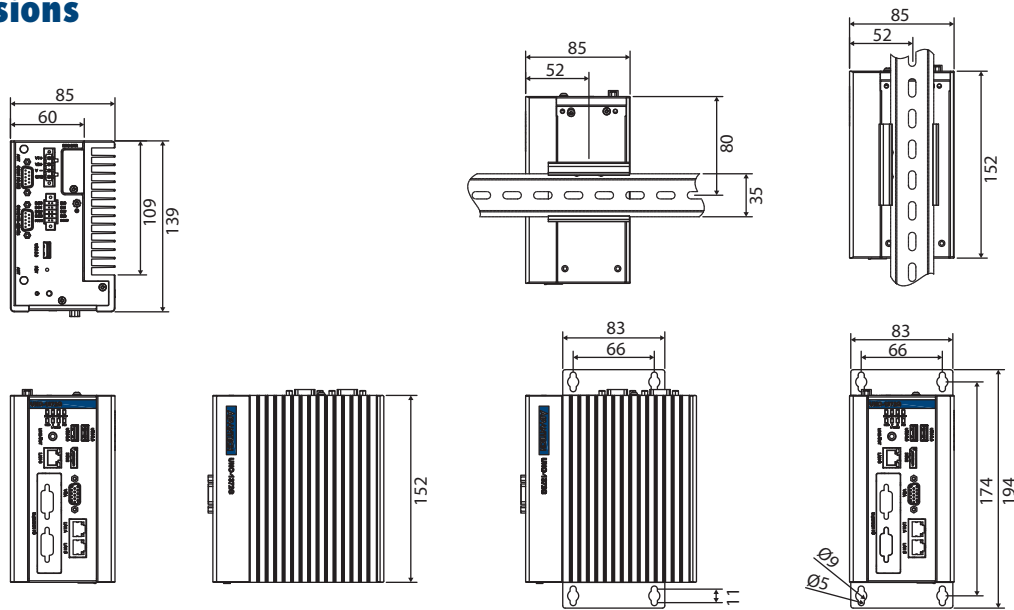
Wall mounting illustration



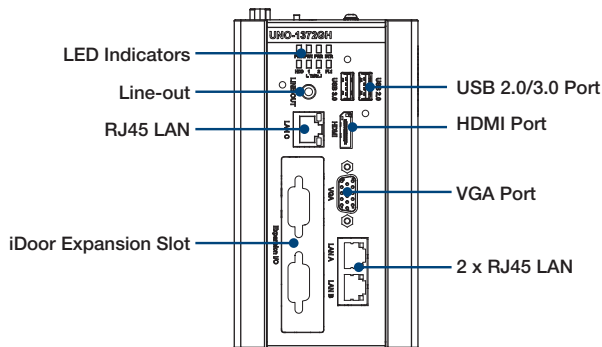
- 1 Software and Industry Solutions
- 2 Industrial Server
- 3 Intelligent System
- 4 Intelligent HMI and Monitors
- 5 Automation Computers and Controllers
- 6 Industrial Communication
- 7 Remote I/O Modules
- 8 Industrial I/O and Video Solutions

Dimensions

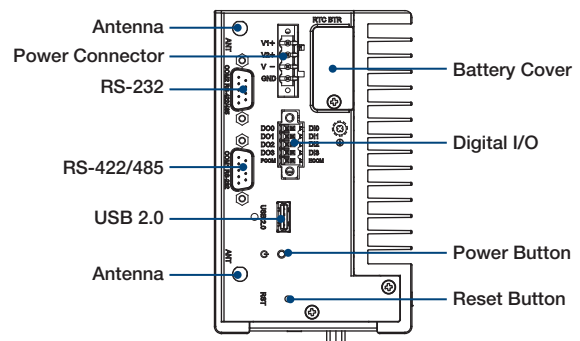
Unit: mm



Front I/O View



Top I/O View



Ordering Information

- **UNO-1372GH-E3AE** Class I, Division 2 Certified Intel Atom Quad-Core 1.91GHz, 4GB, 3 x LAN, 2 mPCIe, iDoor

iDoor Modules

- **PCM-23C1CF-BE** 1 CFast Slot with Cover Protection
- **PCM-23U1DG-BE** USB Slot w/ Lock for USB Dongle
- **PCM-24R2GL-AE** 2-Port Gigabit Ethernet, mPCIe, RJ45
- **PCM-24U2U3-AE** 2-Port USB 3.0, mPCIe, USB-A type
- **PCM-24D2R4-BE** 2-Port Isolated RS-422/485 mPCIe, DB9
- **PCM-24D4R4-BE** 4-Port Non-Isolated RS-422/485 mPCIe, DB37
- **PCM-24S2WF-BE** WiFi 802.11 ac/a/b/g/n 2T2R w/Bluetooth 4.1
- **PCM-24S33G-AE** Wide-Temp 3.75G HSPA and GPS, 2-in-1, Full-size mPCIe w/ Redundant SIM Card holder, 2-port SMA
- **PCM-26R2PN-MAE** 2-Port Hilscher netX100 FieldBus mPCIe, PROFINET, RJ45, Master
- **PCM-26R2PN-SAE** 2-Port Hilscher netX100 FieldBus mPCIe, PROFINET, RJ45, Slave
- **PCM-26D1DB-MAE** 1-Port Hilscher netX100 FieldBus mPCIe, PROFIBUS, DB9, Master
- **PCM-26D1DB-SAE** 1-Port Hilscher netX100 FieldBus mPCIe, PROFIBUS, DB9, Slave

Optional Accessories

- **PWR-247-CE** ADP A/D 100-240V 60W 24V (Commercial Grade)
- **1702002600** Power Cable US Plug 1.8 M (Industrial Grade)
- **1702002605** Power Cable EU Plug 1.8 M (Industrial Grade)
- **1702031801** Power Cable UK Plug 1.8 M (Industrial Grade)
- **1700000596** Power Cable China/Australia Plug 1.8 M (Industrial Grade)
- **UNO-IPS2460-AE** 24 V_{oc}/ 60 Watts DIN-Rail Power Supply

Embedded O/S

- **2070014956** Image Win10 Enterprise 2016 LTSB X64 MUI for UNO-1372G
- **2070014549** Image AdvLinuxTU for UNO-1372G
- **2070014098** Image WEC7 MUI for UNO-1372G
- **20703WE7PS0010** Img WS7P X64 MUI V4.18 B024 for UNO-1372G
- **20703WE7PS0011** Img WS7P X86 MUI V4.18 B021 for UNO-1372G