

UNO-1483G

Intel® Core™ i Regular-Size DIN-rail
Controller w/ 4 x GbE, 3 x mPCIe,
1 PCIe, DP/VGA, 8 DI/O

NEW



Introduction

The UNO-1483G is an Intel 4th generation Core i3 DIN-rail controller. This controller features dual power inputs that shorten down time and enhance operation excellence. The general purpose input/output ports also help machine builders integrate direct control of start/stop inspections and indicate inspection results. UNO-1483G is also equipped with PCIe slot and Advantech iDoor technology that extend this product to applications such as motion controller, or isolation control unit using iDoor modules. A UNO-1483G fitted with 4 gigabyte LAN, 2 USB 3.0, 3 COM, DP, and VGA provides essential upstream and downstream links. PoE, for example, can be connected to an IP camera using iDoor.

Specifications

General

▪ Certification	CE, FCC, UL, CCC, BSMI
▪ Dimensions (W x D x H)	106 x 139 x 198 mm (4.2" x 5.8" x 7.8")
▪ Form Factor	Regular Size
▪ Enclosure	Aluminum Housing
▪ Mounting	DIN-rail, Wallmount
▪ Weight (Net)	2.4kg (5.3lbs)
▪ Power Requirement	12V/24VDC ± 20%
▪ Power Consumption	41W (Typical), 60W(Max)
▪ OS Support	Microsoft® Windows 7/8, WES7, WIN10 Ent. LTSB, AdvLinux

System Hardware

▪ BIOS	AMI UEFI 128Mbit Flash BIOS
▪ Watchdog Timer	Programmable 6 levels timer interval, from 15 to 255 sec
▪ Processor	Intel® 4th Gen. Core™ i3-4010U ULT 1.7GHz Haswell Dual Core, 3MB L2
▪ System Chip	Core i7-4650U/i5-4300U/Celeron 2980U by project
▪ Memory	Integrated Intel 8 Series Chipset
▪ Graphics Engine	On-board 8GB DDR3L 1333/1600 MHz
▪ Ethernet	Intel® HD Graphics 4400 Intel® i210-IT GbE Intel® i218-LM GbE
▪ LED Indicators	LEDs for Power, battery, LAN (Active, Status), Tx/Rx and HDD
▪ Storage	One drive bay for SATA 2.5" HDD (Compatible with 9.5mm height HDD) CFast drive by iDoor Technology (Optional)
▪ Expansion	2 x Full-size mPCIe slot, mPCIe 2.0 (1 supports mSATA / SIM card) 1 x Half-size mPCIe slot w/o USB signal 1 x PCIe (optional PCI by project) slot with x1 signal

I/O Interfaces

▪ Serial Ports	1x RS-232, DB9, 50-115.2kbps 2x RS-422/485, DB9, auto flow control, 50-115.2kbps
▪ LAN Ports	4x RJ45, 10/100/1000 Mbps IEEE 802.3u 1000Base-T Fast Ethernet, support Jumbo Frame
▪ USB Ports	4x USB Ports (2 x USB2.0, 2 x USB3.0 compliant)
▪ Isolated DIO	4-ch digital input (Wet/dry contact with Isolation Protection 2,500 VDC) 4-ch digital output (Compatible 5 V/TTL, Capable Sink: 24 mA max. per channel)
▪ Displays	1x VGA, supports 1920x1200@60Hz 24bpp 1x DP 1.2, supports 1920x1080@60Hz 24bpp
▪ Audio	Line-Out

Features

- 4th Generation Intel® Core™ i Processors up to 1.7GHz with 8GB DDR3L Memory
- 4 x GbE, 4 x USB 2.0/3.0, 1 x RS-232, 2 x RS-422/485, 1 x VGA, 1 x DP, Audio
- Compact with Fanless Design
- Supports PCIe card, PoE iDoor module and Digital I/O for Machine Motion/Vision application
- Dual Power Input and Remote Power Button for reducing power down time and remote power control
- 4G/3G/GPS/GPRS/Wi-Fi Communication by iDoor Technology
- Supports MRAM by iDoor Technology
- Chassis Grounding Protection
- Hot-Swap RTC battery with easily access at top side
- Supports Fieldbus Protocol by iDoor Technology

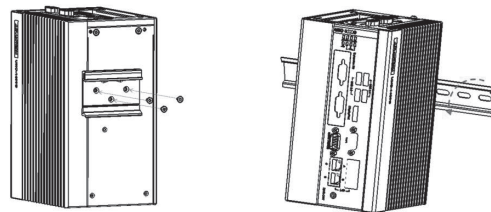
- Power Connector 1x 7 Pins, Terminal Block to support dual power input and remote power control
- Grounding Protection Chassis Grounding

Environment

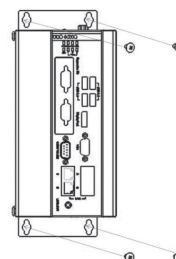
- Operating Temperature -20 ~ 60°C (-4 ~ 140°F) @ 5 ~ 85% RH with 0.7m/s airflow
- Storage Temperature -40 ~ 85°C (-40 ~ 185°F)
- Relative Humidity 10 ~ 95% RH @ 40°C, non-condensing
- Shock Protection Operating, IEC 60068-2-27, 50G, half sine, 11ms
- Vibration Protection Operating, IEC 60068-2-64, 1Grms, random, 5 ~ 500Hz, 1 hr/axis

Installation Scenario

DIN-rail mounting illustration

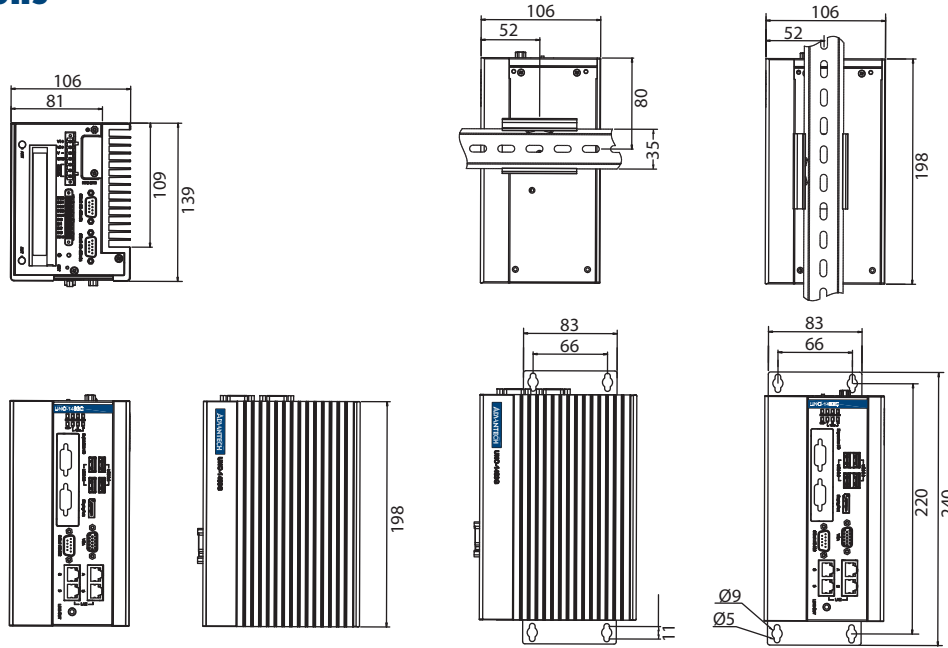


Wall mounting illustration

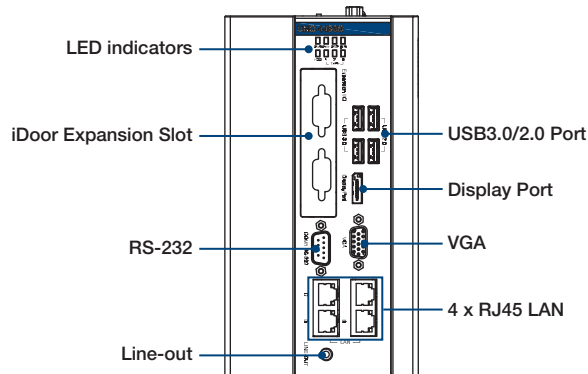


Dimensions

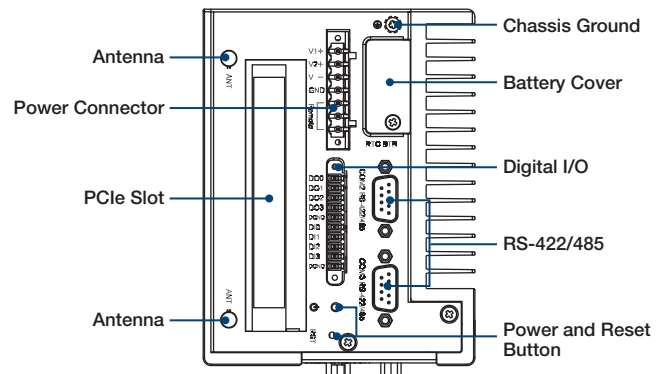
Unit: mm



Front I/O View



Top I/O View



Ordering Information

- **UNO-1483G-434AE** Intel® Core™ i3-4010U ULT 1.7GHz, 8GB, 4 x LANs, 2 x mPCIe, 1 PCIe Slot

Note: Processor i7-4650U/i5-4300U/Celeron 2980U reserved for project

iDoor Modules

- **PCM-24R2PE-AE** Intel i350, GbE, PoE IEEE 802.3af, PD, RJ45 x 2
- **PCM-24U2U3-AE** 2 port USB 3.0 mini card
- **PCM-2300MR-AE** MR4A16B, 2MByte
- **PCM-26D2CA-AE** SJA1000 CANbus, CANopen, DB9 x 1
- **PCM-24D2R4-AE** OXPcie-952 UART, Isolated RS-422/485, DB9 x 2
- **PCM-24S2WF-BE** WiFi 802.11 ac/a/b/g/n 2T2R w/Bluetooth 4.1
- **PCM-24S33G-AE** 63.75G HSPA and GPS, Dual SIM card slots
- **PCM-24S34G-EAE** Sierra MC7304 LTE/HSPA+/GPS for EMEA/Australia
- **PCM-24S34G-AAE** Sierra MC7354 LTE/HSPA+/GPS for Americas

Optional Accessories

- **96PSA-A120W19T2** AC to DC 100-240V 120W Adapter
- **1702002600** Power Cable US Plug 1.8 M
- **1702002605** Power Cable EU Plug 1.8 M
- **1702031801** Power Cable UK Plug 1.8 M
- **1700000596** Power Cable China/Australia Plug 1.8 M
- **SQF-SMSM4-16G-S8E** SQF MSATA 820 16G MLC 4-CH (-40~85°C)

Embedded O/S

- **2070013050** Image WES7P X64 MUI. for UNO-1483G
- **2070013219** Image Linux for UNO-1483G
- **2070014427** Image Win 10 LTSB X64 for UNO-1483G

S/W Bundle Offering

- **WA-CU1483G-3RHE5AE** UNO-1483G-434AE, Control RTE & Visua., 128G SSD, 2MB MRAM, WES7P