

UNO-2271G

Intel® Atom™ Pocket-Size Smart Factory Edge Gateway with 2 x GbE, 1 x mPCIe, HDMI, eMMC

NEW



Introduction

Advantech's new generation UNO-2000 series of embedded automation computers are highly ruggedized, fanless, and modular designs. New UNO-2000 series includes pocket, small, and regular-sized form-factors for different kinds of smart factory applications such as Equipment Connectivity (EC), Process Visualization (PV), Environment Management (EM), and Dispatch Management (DM). The modular design of UNO-2271G features optimized I/O and offers three different configurations. It also supports Advantech's iDoor technology via a second expansion stack. UNO-2000 series provide flexible and time-to-market support for a variety of applications.

Specifications

General

- Certification** CE, FCC, UL, CCC, BSMI
- Dimensions (W x D x H)** 100 x 70 x 30 mm (3.9" x 2.8" x 1.2"), UNO-2271G-E21BE/E021AE
100 x 70 x 65 mm (3.9" x 2.8" x 2.6"), UNO-2271G-E22BE/E23BE/E022AE/E023AE
- Form Factor** Pocket Size, same dimension as standard 2.5" SSD/HDD
- Enclosure** Aluminum Housing
- Mounting** Stand, Wall, VESA (Optional), DIN-rail (Optional), Pole (Optional)
- Weight (Net)** 0.5 kg (1.1lbs) for UNO-2271G-E21BE/E021AE
0.6 kg (1.2lbs) for UNO-2271G-E22BE/ E022AE and E23BE/ E023BE
- Power Requirement** 10 ~ 30V_{DC}
- Power Consumption** 12W (Typical), 24W (Max)
- OS Support** For mSATA storage: Windows7, Windows10 LTSB, Advantech Linux
For eMMC storage: Advantech embedded customized Windows7 64bits, Windows 10 LTSB, Advantech Linux

System Hardware

- BIOS** AMI EFI64 Mbit
- Watchdog Timer** Programmable 255 levels timer interval, from 1 to 255 sec
- Processor** Intel Atom E3815 Single Core 1.46GHz
Intel Atom E3825 Dual Core 1.33GHz
- System Chip** Intel Atom SoC integrated
- Memory** Onboard 4GB DDR3L 1066 MHz
- Graphics Engine** Intel® HD Graphics
- Ethernet** Realtek RTL8111E GbE, 802.10av
- LED Indicators** LEDs for Power, HDD, LAN (Active, Status)
- Storage** Onboard 32GB eMMC (Option mSATA shared with mPCIe slot)
- Expansion** 1 x Full-size mPCIe slot

I/O Interfaces

- Serial Ports** 2 x RS 232/422/485 for UNO-2271G-E23BE/ E023AE
- LAN Ports** 2 x RJ45, 10/100/1000 Mbps IEEE 802.3u

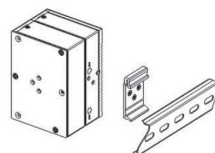
Features

- Intel® Atom™ E3815/E3825 processor with 4GB DDR3L onboard memory
- 2 x GbE, 1 x USB 3.0, 1 x HDMI, option 2 x RS-232/422/485 or 3 x USB2.0
- Compact fanless design
- Rubber stopper design with internal reserved screws for 2nd layer assembly
- Diverse system I/O and isolated digital I/O by iDoor technology
- Supports Fieldbus protocol by iDoor technology
- 3G/GPS/GPRS/Wi-Fi communication by iDoor technology
- Supports 30+ iDoor combination with four main categories of smart factory applications
- 32GB eMMC storage onboard

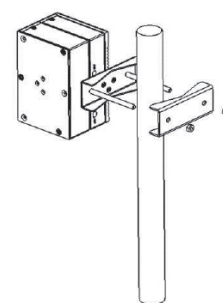
- USB Ports** 1000BASE-T Fast Ethernet
1 x USB 3.0 for UNO-2271G-E21BE/E021AE
3 x USB 2.0 and 1 x USB 3.0 for UNO-2271G-E22BE/E022AE
1 x USB 3.0 for UNO-2271G-E23BE/E023AE
- Displays** 1 x HDMI, supports 1920 x 1080 @ 60Hz
- Power Connector** 1 x 2 Pins, Terminal Block
- Environment**
 - Operating Temperature** 0 ~ 50°C (32 ~ 122°F) @ 5 ~ 85% RH with 0.7 m/s airflow
 - Storage Temperature** -20 ~ 70°C (-4 ~ 158°F)
 - Relative Humidity** 10 ~ 95% RH @ 40°C, non-condensing
 - Shock Protection** Operating, IEC 60068-2-27, 50G, half sine, 11 ms
 - Vibration Protection** Operating, IEC 60068-2-64, 2 Grms, random, 5 ~ 500 Hz, 1hr/axis (mSATA)
- Ingress Protection** IP30

Installation Scenario

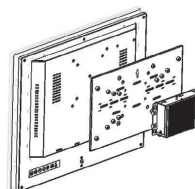
DIN-rail Mount Illustration



Pole Mount Illustration



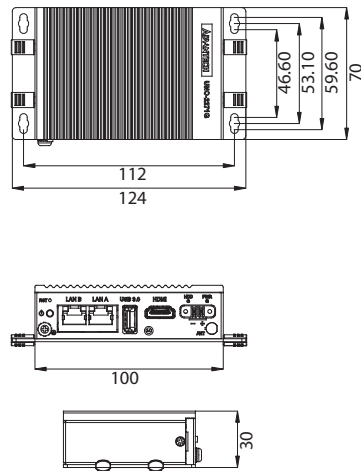
VESA Mount Illustration



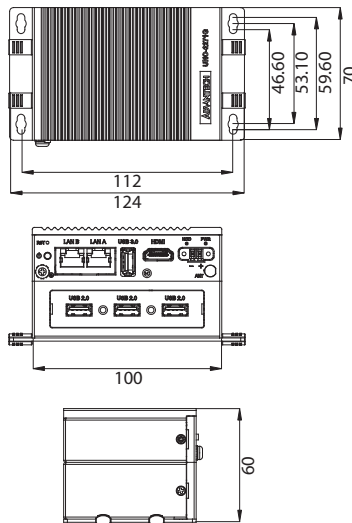
Dimensions

Unit: mm

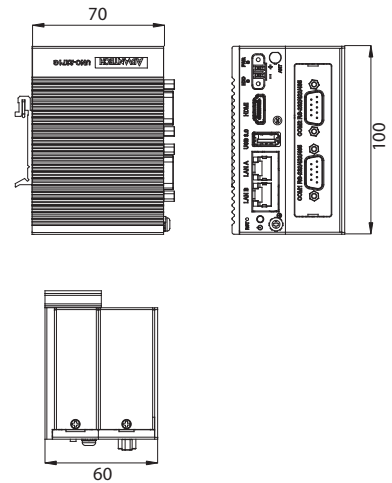
UNO-2271G-E21BE/E021AE



UNO-2271G-E22BE/E022AE

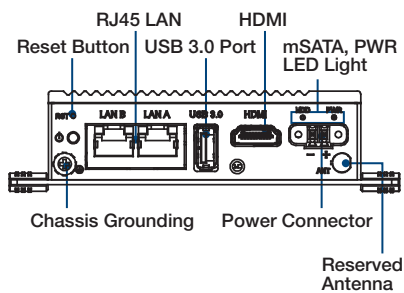


UNO-2271G-E23BE/E023AE

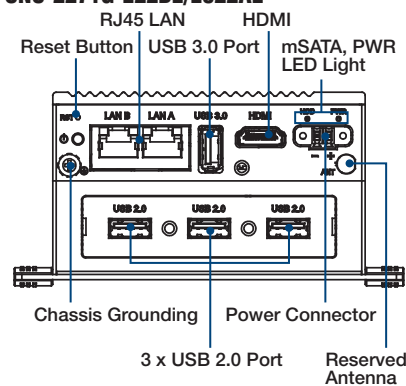


Front I/O View

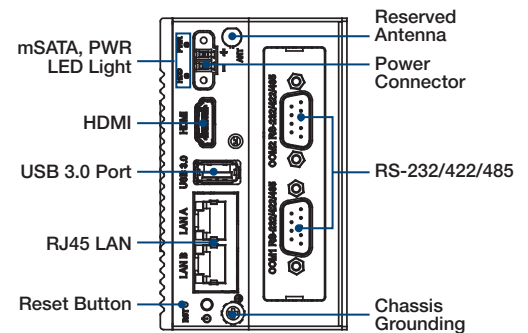
UNO-2271G-E21BE/E021AE



UNO-2271G-E22BE/E022AE



UNO-2271G-E23BE/E023AE



Ordering Information

	CPU	Ordering Part Number	USB2.0	RS-232/422/485	LAN	USB3.0	HDMI	mPCIe
Single Stack	Single Core E3815	UNO-2271G-E21BE	x	x	2	1	1	1
Double Stack		UNO-2271G-E22BE	3	x				
		UNO-2271G-E23BE		2				
Single Stack	Dual Core E3825	UNO-2271G-E021AE	x	x	2	1	1	1
Double Stack		UNO-2271G-E022AE	3	x				
		UNO-2271G-E023AE	x	2				

iDoor Modules

- PCM-23U1DG-BE Internal locked USB Slot for USB Dongle
- PCM-24R2GL-AE 2-Port Gigabit Ethernet, mPCIe, RJ45
- PCM-24S33G-AE Wide-Temp 3.75G HSPA and GPS, Redundant SIM Card holder
- PCM-2300MR-AE MR4A16B, MRAM, 2 MByte, mPCIe
- PCM-27D24DI-AE 24-Channel Isolated Digital I/O w/ counter mPCIe, DB37

Embedded O/S

- 2070015327 Advantech Linux (AdvLinuxTu V1.0.3) image for UNO-2271G-ExxBE/E0xxAE
- 20703WE7PS0018 WS7P X64 MUI V4.19 B006 image
- 20703W6E0S0002 WIN10 LTSB v6.03 B010 image

Optional Accessories

Adapters & Power cords

- PWR-247-CE 60W AC to DC UNO series power adapter
- 1702002600 Power Cable US Plug 1.8 M
- 1702002605 Power Cable EU Plug 1.8 M
- 1702031801 Power Cable UK Plug 1.8 M
- 1700000596 Power Cable China/Australia Plug 1.8 M

Expansion Kits

- UNO-2271G-EKAE UNO-2271G Expansion Kit for iDoor
- UNO-2271G-R2AE UNO-2271G Expansion Kit of 2 COM ports
- UNO-2271G-U3AE UNO-2271G Expansion Kit of 3 USB2.0 ports

Mounting Kits

- UNO-2271G-DMKAE UNO-2271G DIN RAIL Mount Kit
- UNO-2000G-VMKAE UNO-2000 VESA Mount Kit
- UNO-2000G-PMKAE UNO-2000 Pole Mount Kit

Others

- UNO-2000-LKAE Cable lockable kit 10 units/per pack

Wi-Fi module & antenna

- EWM-W157H01E Wifi 802.11 a/b/g/n/ac, w/ Bluetooth 4.0
- 1750006043 Coaxial cable for antenna
- 1750008717-01 Antenna L=10.9 cm 50 Ohm

Contact Advantech for more compatible iDoor solutions.