

UNO-2483G

Intel® Core™ i7/i3/Celeron® Regular-Size Automation Computer w/ 4 x GbE, 3 x mPCIe, HDMI, VGA

NEW



Features

- 4th Generation Intel® Core™ i7/i3/Celeron® Processors up to 1.9GHz with 4GB/8GB DDR3L Memory
- 4 x GbE, 4 x USB 2.0/3.0, 2 x RS-232, 2 x RS-422/485, 1 x VGA, 1 x HDMI, Audio
- Compact, with Fanless Design
- Rubber Stopper Design with Captive Screw
- Dual HDD/SSD support with RAID 0/1 in regular-size
- Diverse system I/O and Isolated Digital I/O by iDoor Technology
- 3G/GPS/GPRS/Wi-Fi Communication by iDoor Technology
- Supports MRAM by iDoor Technology
- LAN Redundancy (Teaming)

Introduction

Advantech's new generation UNO-2000 series of Embedded Automation Computers are highly ruggedized fanless and modular design. It includes iDoor technology which supports automation feature extensions such as industry fieldbus communication, Wi-Fi/3G, Digital I/O. There are various form factor offering from Pocket-size, Palm, and Regular-size in terms of entry, value and performance product positioning. Both entry and value Embedded Automation Computers feature specific functions and they are suitable for data gateway, concentrator and data server applications. The performance model can shorten your development time and offer multiple networking interfaces to fulfill a diverse range of requirements.

Specifications

General

- Certification** CE, FCC, UL, CCC, BSMI
- Dimensions (W x D x H)** 252 x 149 x 62 mm (9.9" x 5.9" x 2.4")
- Form Factor** Regular Size
- Enclosure** Aluminum Housing
- Mounting** Stand, Wall, VESA (Optional)
- Weight (Net)** 1.6kg (3.5lbs)
- Power Requirement** 24V_{DC} ± 20%
- Power Consumption** 44W (Typical), 87W (Max)
- OS Support** Microsoft® Windows 7/8, Windows 10, Advantech Linux

System Hardware

- BIOS** AMI UEFI 128Mbit Flash BIOS
- Watchdog Timer** Programmable 255 levels timer interval, from 1 to 255 sec
- Processor** 4th Gen Intel® Core™ i7-4650U ULT 1.7 GHz Dual Core
4th Gen Intel® Core™ i3-4010U ULT 1.7 GHz Dual Core
4th Gen Intel® Celeron® 2980U ULT 1.6 GHz Dual Core
Integrated Intel SoC Chipset
- System Chip** Built-in 4GB DDR3L 1600 MHz for UNO-2483G-4C3AE
- Memory** Built-in 8GB DDR3L 1600 MHz for UNO-2483G-434AE and UNO-2483G-474AE
- Graphics Engine** Intel® HD Graphics
- Ethernet** LAN A: Intel® i218-LM GbE, Intel® AMT (for UNO-2483G-474AE), IEEE1588/802.1AS, 802.3az
LAN B-D: Intel® i210-IT GbE, 802.1Qav, IEEE1588/802.1AS, 802.3az
- LED Indicators** LEDs for Power, battery, LAN (Active, Status), COM (Tx/Rx) and HDD
- Storage** One mSATA
Two drive bays for SATA 2.5" HDD (Compatible with 9.5mm height HDD)
- Expansion** 2 x Full-size mPCIe slot; 1 x Half-size mPCIe slot, mPCIe 2.0

I/O Interfaces

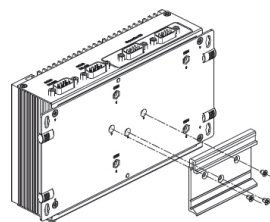
- Serial Ports** 2 x RS-232, DB9, 50 ~ 115.2kbps
2 x RS-422/485, DB9, auto flow control, 50 ~ 115.2kbps
- LAN Ports** 4 x RJ45, 10/100/1000 Mbps IEEE 802.3u 1000Base-T Fast Ethernet
- USB Ports** 4 x USB Ports (2 x USB 2.0, 2 x USB 3.0 compliant)
- Displays** 1 x VGA, supports 1920 x 1080 @ 60Hz 24bpp
1 x HDMI 1.4a, supports 3840 x 2160 @ 30Hz 24bpp & 1920 x 1080 @ 60Hz, 24bpp
- Audio** Line-In, Line-Out
- Power Connector** 1 x 3 Pins, Terminal Block

Environment

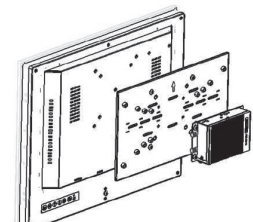
- Operating Temperature** -20 ~ 60°C (-4 ~ 140°F) @ 5 ~ 85% RH with 0.7m/s airflow
-40 ~ 85°C (-40 ~ 185°F)
- Storage Temperature** -40 ~ 85°C (-40 ~ 185°F)
- Relative Humidity** 10 ~ 95% RH @ 40°C, non-condensing
- Shock Protection** Operating, IEC 60068-2-27, 50G, half sine, 11ms
- Vibration Protection** Operating, IEC 60068-2-64, 2Grms, random, 5 ~ 500Hz, 1hr/axis (mSATA)
Operating, IEC 60068-2-64, 0.7Grms, random, 5 ~ 500Hz, 1hr/axis (HDD)
- Ingress Protection** IP40

Installation Scenario

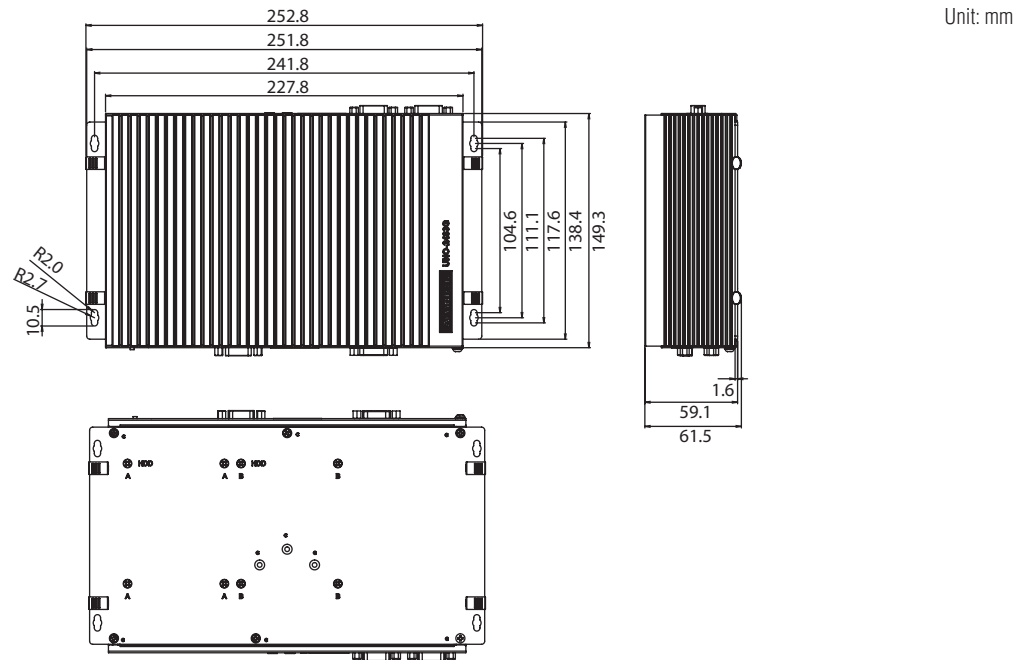
DIN-rail Mount Illustration



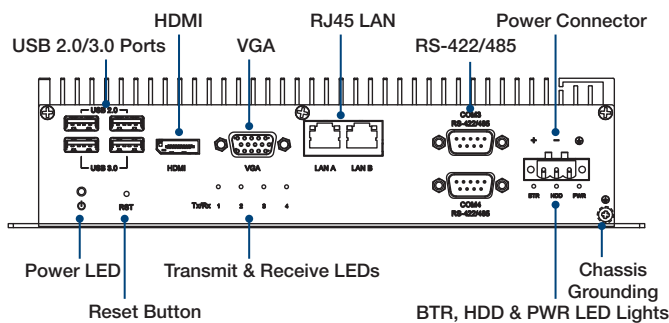
VESA Mount Illustration



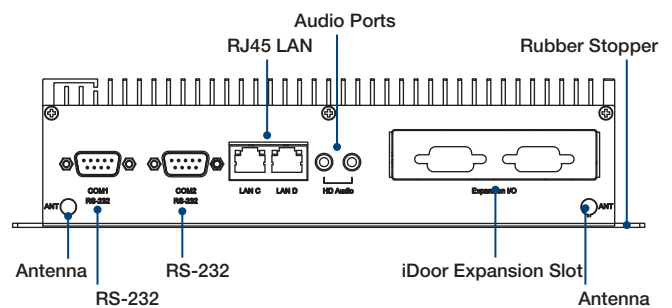
Dimensions



Front I/O View



Rear I/O View



Ordering Information

- **UNO-2483G-4C3AE** Intel® Celeron 2980U ULT 1.6GHz, 4GB, 4 x LANs, 2 x mPCIe
- **UNO-2483G-434AE** Intel® Core™ i3-4010U ULT 1.7GHz, 8GB, 4 x LANs, 2 x mPCIe
- **UNO-2483G-474AE** Intel® Core™ i7-4650U ULT 1.7GHz, 8GB, 4 x LANs, 2 x mPCIe

iDoor Modules

- **PCM-23C1CF-BE** 1 CFast Slot with Cover Protection
- **PCM-23U1DG-BE** Internal Locked USB Slot for USB Dongle
- **PCM-24R2GL-AE** 2-Port Gigabit Ethernet, mPCIe, RJ45
- **PCM-24D2R2-BE** 2-Port Isolated RS-232 mPCIe, DB9
- **PCM-24D4R2-BE** 4-Port Non-Isolated RS-232 mPCIe, DB37
- **PCM-24S2WF-BE** WiFi 802.11 ac/a/b/g/n 2T2R w/Bluetooth 4.1
- **PCM-24S33G-AE** Wide-Temp 3.75G HSPA and GPS, Redundant SIM Card holder
- **PCM-2300MR-AE** MR4A16B, MRAM, 2 MByte, mPCIe
- **PCM-27D24DI-AE** 24-Channel Isolated Digital I/O w/ counter mPCIe, DB37

Optional Accessories

- **96PSA-A150W24T2** 150WC to DC UNO series power adapter (Industrial Grade)
- **96PSA-A120W24T2** 120WC to DC UNO series power adapter (Industrial Grade)
- **1702002600** Power Cable US Plug 1.8 M (Industrial Grade)
- **1702002605** Power Cable EU Plug 1.8 M (Industrial Grade)
- **1702031801** Power Cable UK Plug 1.8 M (Industrial Grade)
- **1700000596** Power Cable China/Australia Plug 1.8 M (Industrial Grade)
- **UNO-2000G-DMKAE** UNO-2000 DIN Rail Kit
- **UNO-2000G-VMKAE** UNO-2000 VESA Mount Kit

Embedded O/S

- **2070015070** WIN10 Enterprise 2016 LTSB v6.01 B042 image for UNO-2483G-474AE
- **20703WX6VS0000** WIN10 Enterprise 2016 LTSB v6.01 B042 image for UNO-2483G-434AE & 2483G-4C3AE
- **2070013459** WES7P X64 MUI.V4.12 B003 image