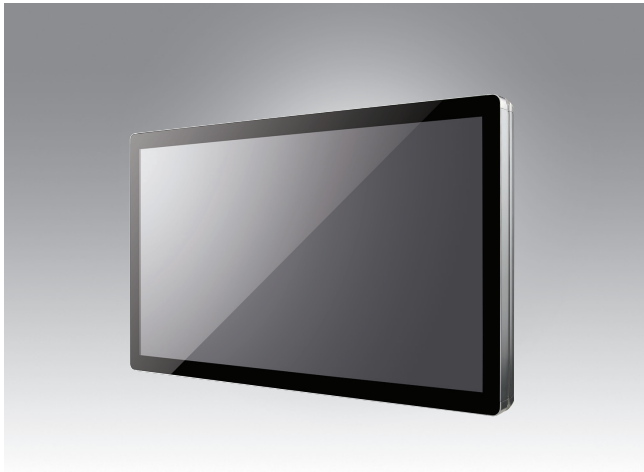


UTC-542

42.5" Ubiquitous Touch Computer UTC-542I with 11th Gen Intel Core i7/i5/i3 Processor



Features

- High performance and fanless system design
- Built-in Intel® Core™ i5-1145G7E (UTC-542I)
- 42.5" monitor with 16:9 widescreen display
- IP65-rated front panel for water and dust resistance
- Aluminum frame with side groove design for flexible peripheral installation
- Supports both landscape and portrait screen orientations
- VESA 200 mm standard mounting holes for varied mounting demands
- Support Advantech WISE-PaaS/RMM



Introduction

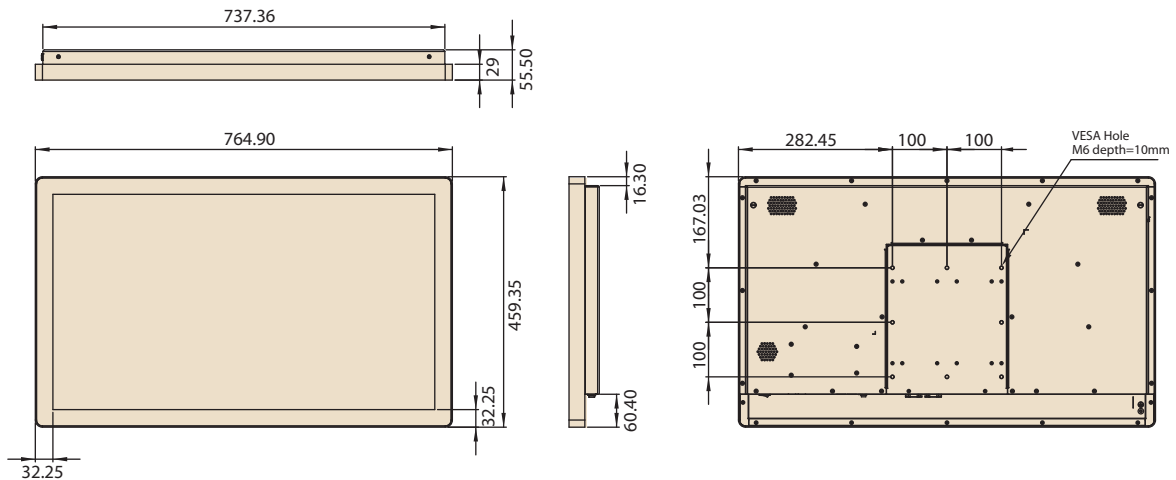
UTC-542 features an all-in-one computing system equipped with wide format, touch based LCD panel. It is easy to integrate key peripherals and display systems for diversified self-service and interactive signage deploy in different application areas. The systems deliver updated information with well-designed interactive interfaces, fully ensure relevant content and targeted promotions are delivered. UTC series touch panel computers are the best investments to enhance user satisfaction, further brand equity, and maximize business profits.

Specifications

Processor System	CPU	i5-1145G7E (Default) Intel® Core™ i3-1115G4E Intel® Core™ i7-1185GRE
	Base Frequency	1.50/ 2.6 GHz/ Quad Core
	Cache	L3 Cache 8MB
	Memory	DDR4-3200 up to 64GB
	HDD	1 x 2.5 internal SATA HDD bay
	Network (LAN)	2 x GbE, LAN1: Intel i219LM, LAN2: Intel i210AT/IT (supports Wake on LAN)
	I/O ports	2 x GbE, LAN1: Intel i219LM, LAN2: Intel i210AT/IT 1 x HDMI / 1 x DP 1 x Audio Line-out 1 x Mic-in 4 x USB3.2 Gen. 2x1 10Gbps 1 x USB type-C, USB3.2 Gen. 2x2 20Gbps, support DP1.4a via Alt. Mode
	Stereo Speaker	10W x 2
	Bus expansion	1 x M.2 E-Key 2230 (PCIe x 1, USB2.0, I2C) 1 x M.2 B-Key 3042 (USB2.0) w/ Nano-SIM 1 x M.2 M-Key 2280 (PCIe x4 Gen.4 for PCIe SSD), optional SATA
	Dimensions (W x H x D)	990.6 x 578.8 x 60.2mm (Mirror Glass) 1016.9 x 605.2 x 60.5mm (Pcap / Mirror Pcap*)
Weight	24.6 kg (54.23 lb)	
OS Support	Windows 10 IoT Enterprise	
Environmental Specifications	Operating Temperature	0 ~ 40° C (32 ~ 104° F)
	Relative Humidity	10 ~ 95% @ 40° C non-condensing
	Vibration	0.5G
	Shock	5 G peak acceleration (11 msec. duration)
	Certification	CE, FCC, UL, CB, CCC, BSMI
Power Supply	Input Voltage	100-240V
	Adapter	24V, 9.58A
	Power consumption	Typical 95W Max. 105W
LCD Display	Size/Type	42.5" TFT LCD with LED backlight
	Max. Resolution	1920 x 1080
	Max. Color	16.7 M
	Pixel Pitch (mm)	0.49 (H) x 0.49 (W)
	Brightness (cd/m ²)	450 nits
	View Angle	178°/178°
Touch Screen (PE/GE)	Type	Projected Capacitive Touch Panel (Pcap. Flat Glass) / Glass Panel (No touch function)
	Light Transmission	90% ± 2% / 90%
	Controller	USB Interface / -

Dimensions

Unit: mm



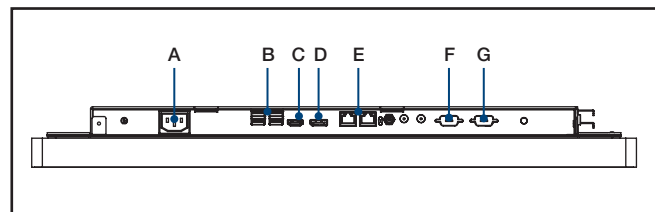
Ordering Information

Part No.	Description
UTC-542IP-ATB0E	42.5 Intel® Core™ i5-1145G7E fanless UTC with PCT.T/S. 8GB RAM
1702002605	Power cord 2P FRANCE 10A/16A 220V 1.83M 90D
1702002600	Power Cord 3P UL/CSA(USA) 125V 10A 1.83M 180D
1700000596	Power Cord (China) CCC, 10A 250V, 3P 1830mm
1700018704	Power Cord UK BSI 2P 10A 250V 180cm 18AWG

Installation Accessory for UTC-532

Part No.	Description
ARES-12290-L202000	Wall Mount kit for UTC-532
UTC-H01-STANDE	H-shaped floor stand

Fully- Integrated I/O



- A. Power Inlet
- B. USB3.2 x 4
- C. USB Type C
- D. HDMI
- E. LAN x2
- F. COM1
- G. COM2

Side groove design for flexible peripheral installation



Specifications

DeviceOn/iService Remote Device Management	Operating System	Windows 10
	Common Controls (Reboot, Shutdown)	✓
	Remote desktop	✓ (VNC)
	Audio Controls	✓*
	Connection Status	✓
	Hardware Status	✓*
	Hard Disk Status	✓*
	Batch Operation Support	✓
	OTA Storage Management	FTP
	OTA Software Updates	✓
	Software Watchlist	✓
	Software Start/Stop	✓*

Note: DeviceOn/iService software must be downloaded from the Advantech website at <https://www.advantech.com/search/?q=DeviceOn%2FiService&st=support&sst=Utility>

DeviceOn/iService

Unified Remote Device Management Software



Features

- Supports Advantech devices equipped with Windows, Android, and Linux OS
- Flexible device, location, user, and permissions management
- Enables remote monitoring and control of hardware, software, and peripherals
- Supports over-the-air (OTA) firmware and software updates
- Ensures quick, easy, and secure device onboarding
- RESTful APIs for third-party system integration

Introduction

Advantech's DeviceOn/iService is a next-generation unified device management solution based on the WISE-DeviceOn platform. Designed to enable centralized monitoring and remote management, DeviceOn/iService supports Advantech devices equipped with Windows, Linux, or Android operating systems. The software also supports the management of applications and integrated peripherals, such as a barcode scanner, card reader, camera, and printer. Users can remotely access and control connected devices, take screenshots, rollout OTA upgrades, and use remote desktop capabilities for troubleshooting from any location at any time. Moreover, DeviceOn/iService supports batch operations to facilitate the management of multiple devices simultaneously for easy and convenient device configuration and deployment.

Total Management



Devices & Hardware

- Windows, Linux, Android
- Hardware, storage, battery



Software & Peripherals

- Software monitoring & access
- Screens, USB devices, printers



Open for Expansion

- Peripheral integration
- Open APIs for integration

Remote Access



Real-Time Monitoring

- Connection/hardware status
- Software/peripheral status
- Failure notifications



Remote Controls

- Power controls
- Audio, backlight controls
- Software controls



Troubleshooting

- Screenshots
- Remote desktop support

Operational Efficiency



OTA updates

- System/software updates
- File repository management
- App store



Batch Controls

- 1-to-many batch reboot, etc.
- Time-saving tasks



Setup Booster

- Software/peripheral watchlist
- Roles, rule templates

Note: Some functions may vary according to the product

System Architecture

